

**designed
for space**



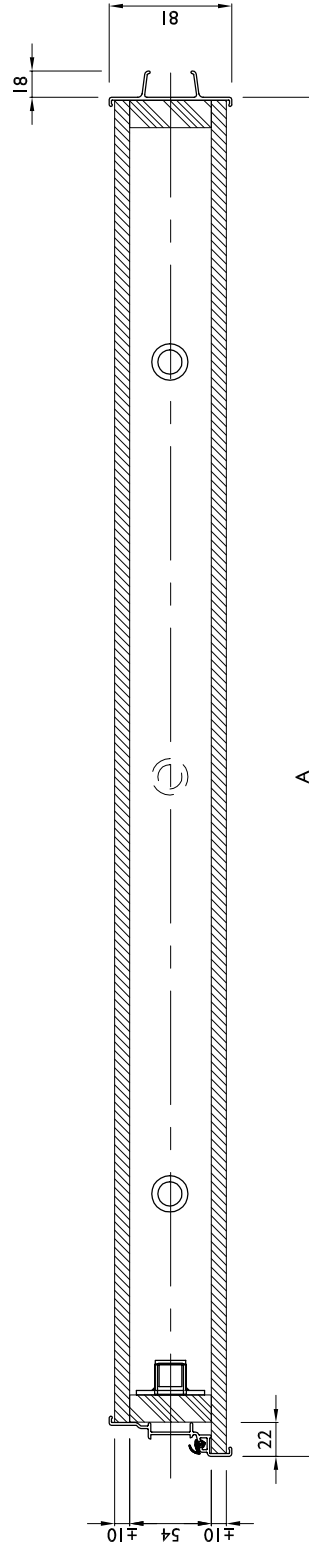
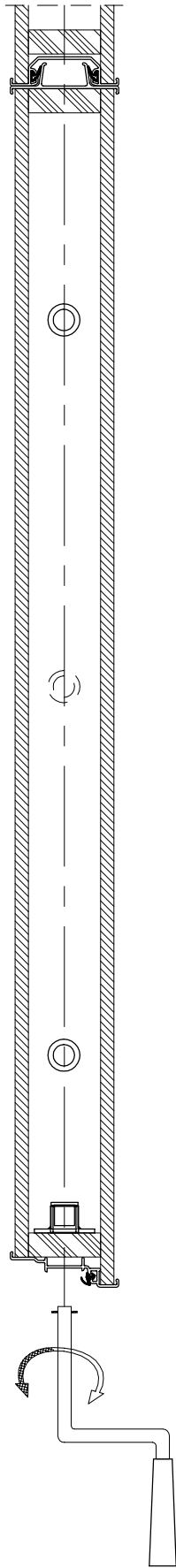
**movable walls &
folding partitions**
Panningen, The Netherlands

Palace 80

wicket pass door panel (WP)
cross section

Date	30-05-2001	
Scale	1:6	
Size	A4	
Drawn	GIJ	
Revision	Date	By

PAL80-328



designed
for space



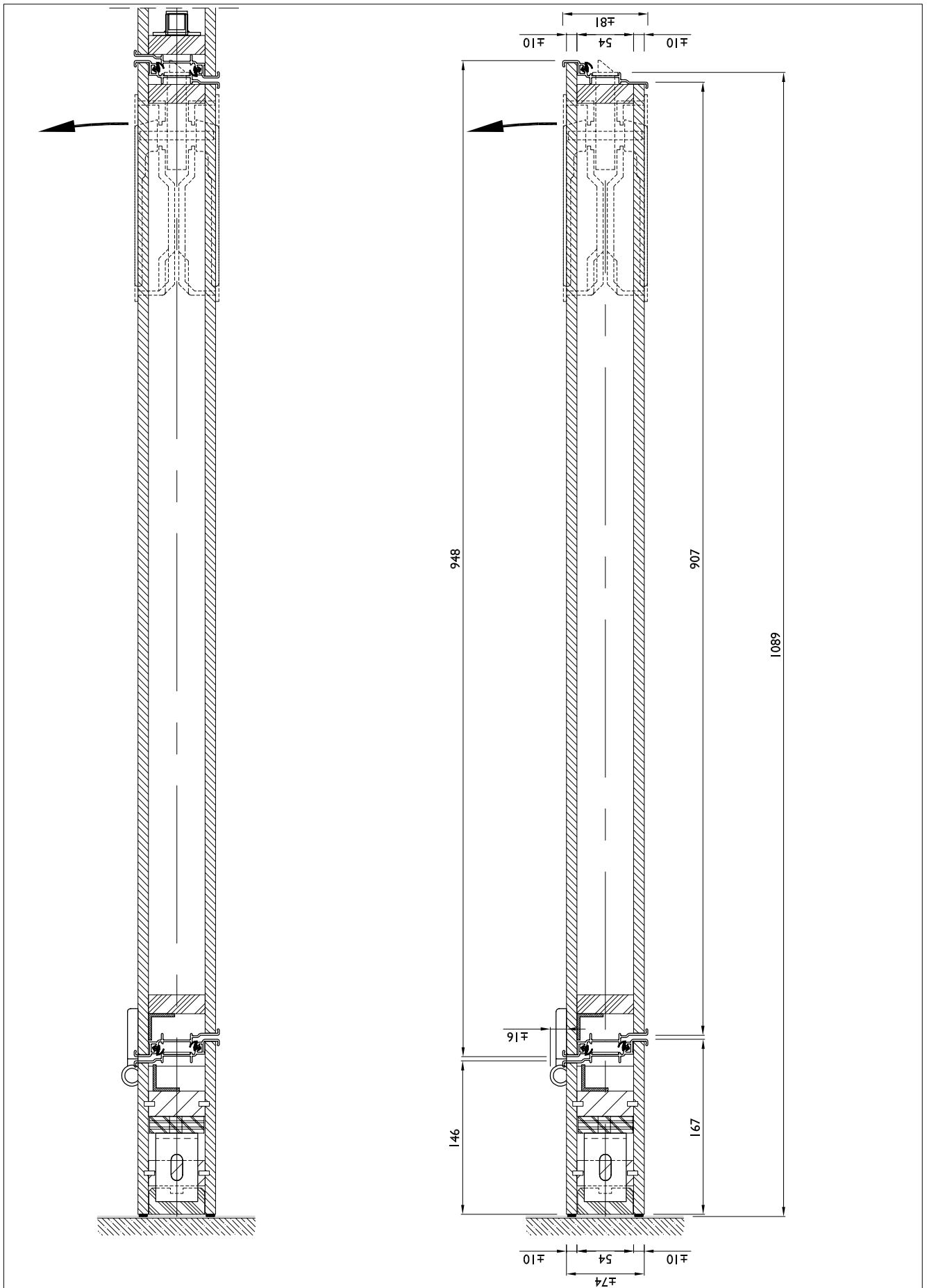
movable walls &
folding partitions
Panningen, The Netherlands

Palace 80

pass door closing panel (PCP)
cross section
A = panelwidth

Date	30-05-2001	
Scale	1:5	
Size	A4	
Drawn	GIJ	
Revision	Date	By

PAL80-327



designed
for space



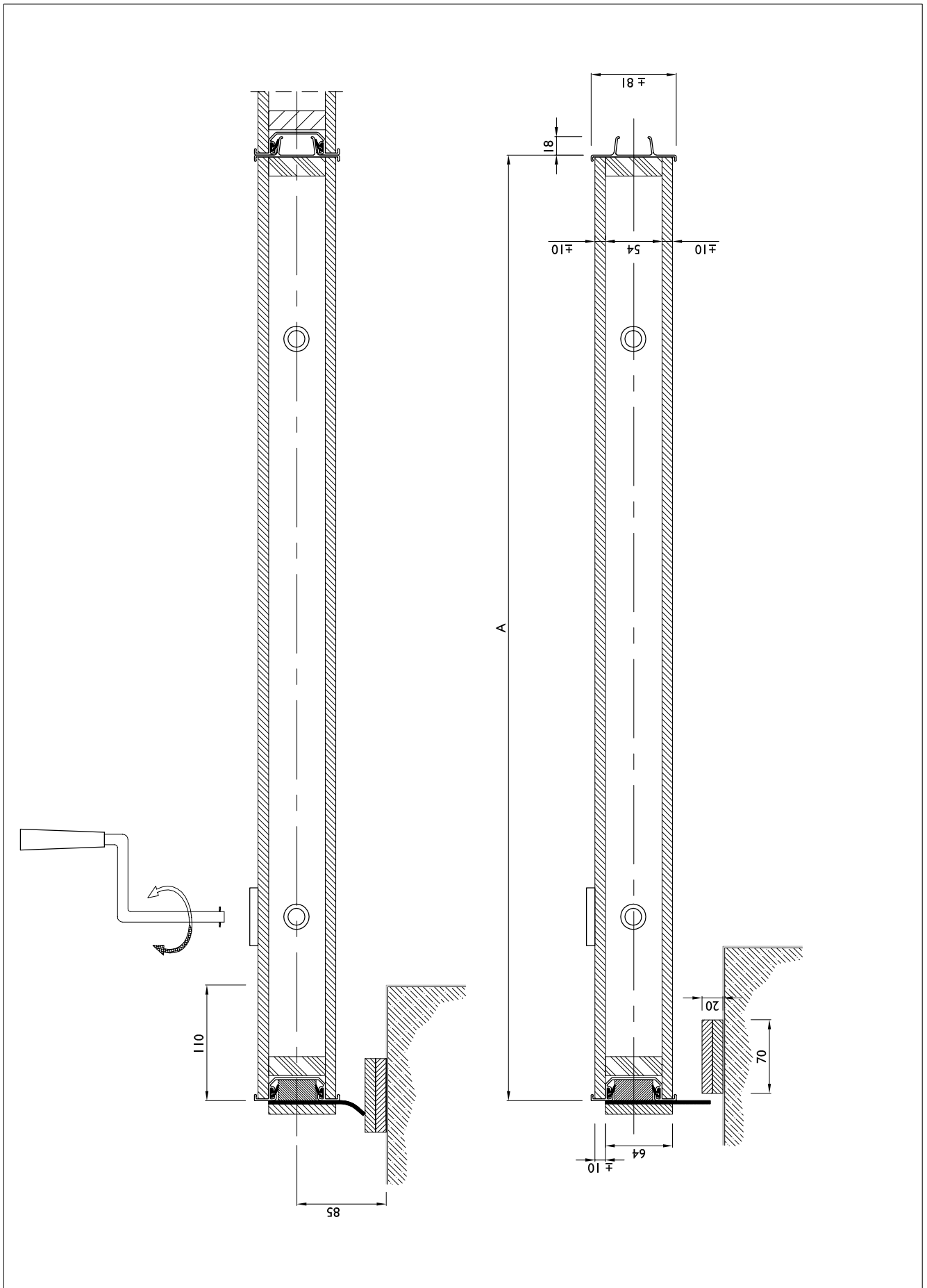
movable walls &
folding partitions
Panningen, The Netherlands

Palace 80

pass door (PC) (hinged to wall)
cross section

Date	30-05-2001	
Scale	1:5	
Size	A4	
Drawn	GIJ	
Revision	Date	By

PAL80-326



**designed
for space**



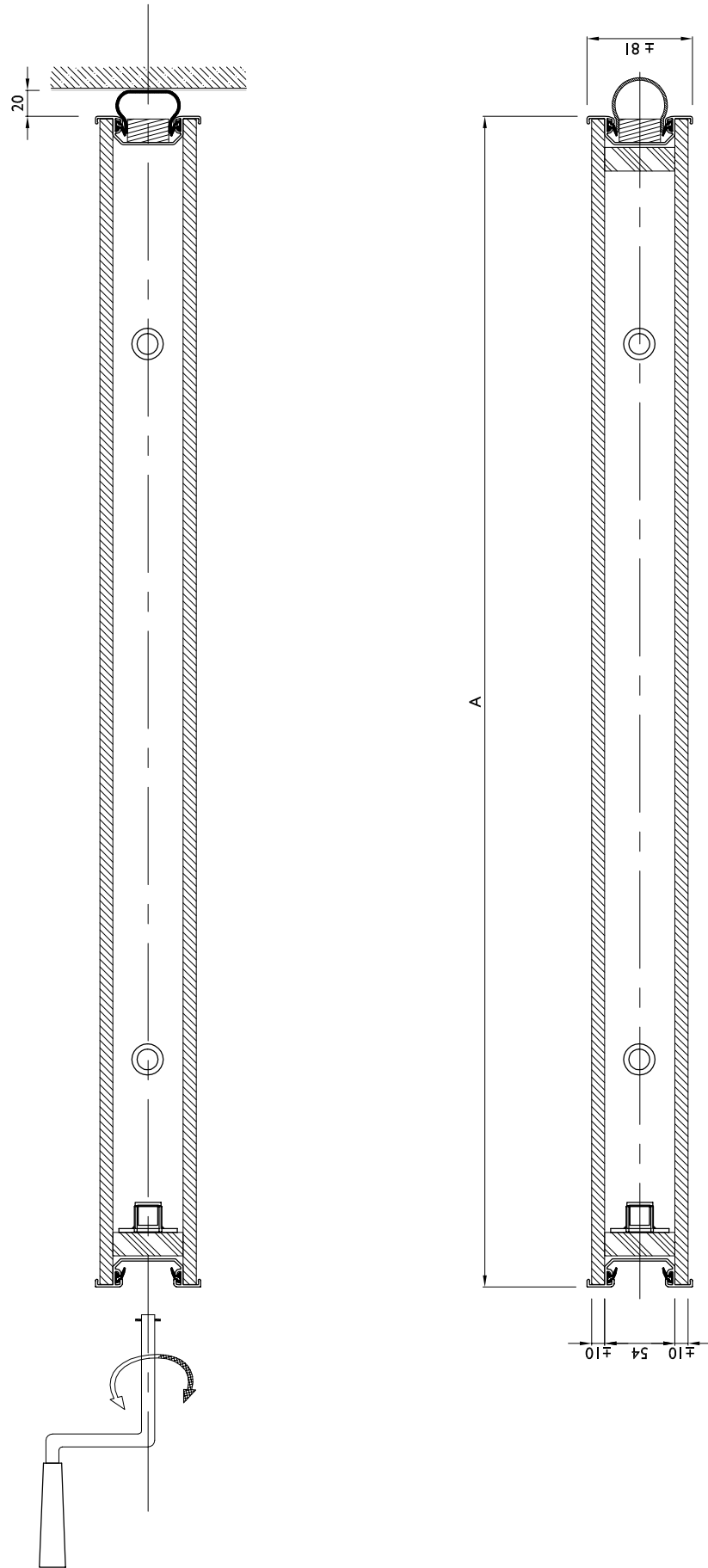
movable walls &
folding partitions
Panningen, The Netherlands

Palace 80

side closure panel (SCP)
cross section
A = panelwidth

Date	30-05-2001	
Scale	1:5	
Size	A4	
Drawn	GIJ	
Revision	Date	By

PAL80-325



designed
for space



movable walls &
folding partitions
Panningen, The Netherlands

Palace 80

end wall panel (EWP)
cross section
A = panelwidth

Date 25-04-2001

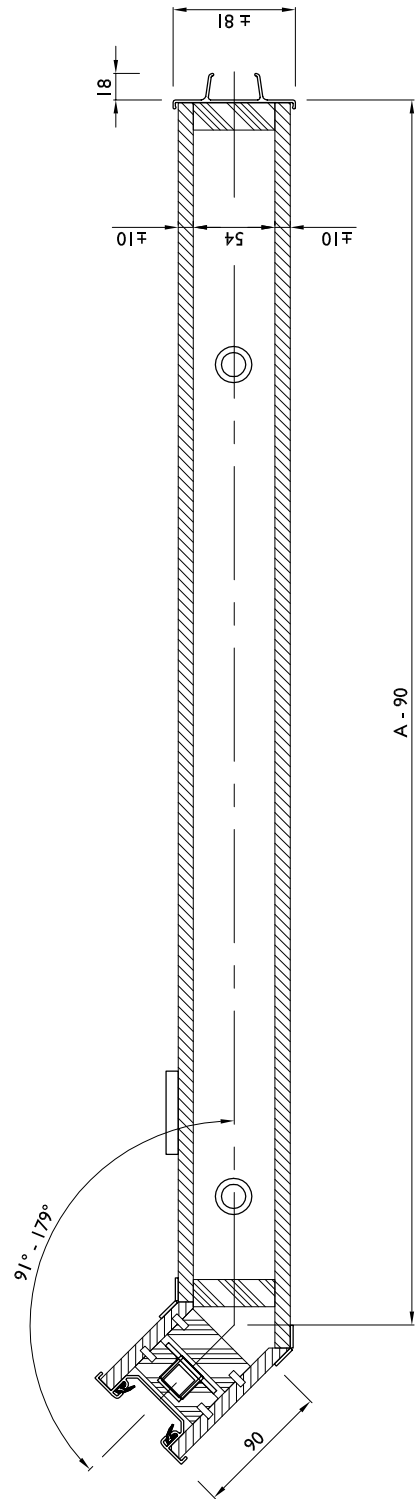
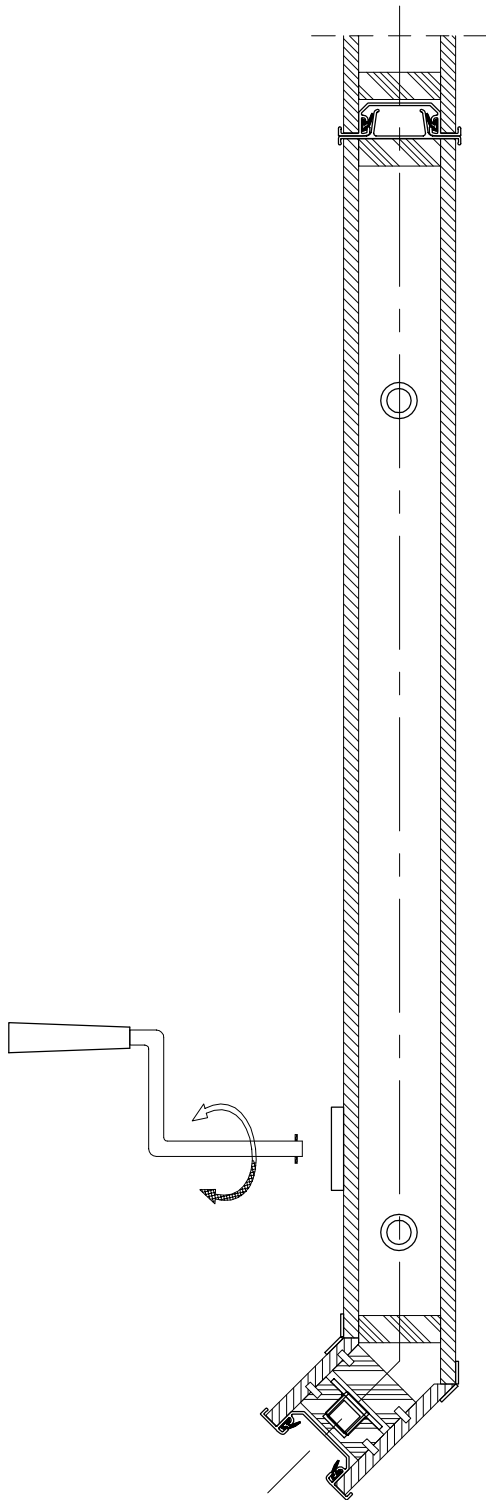
Scale 1:5

Size A4

Drawn FR

Revision	Date	By

PAL80-324



**designed
for space**



movable walls &
folding partitions
Panningen, The Netherlands

Palace 80

corner panel variable° (CP)
cross section
A = panelwidth

Date 25-04-2001

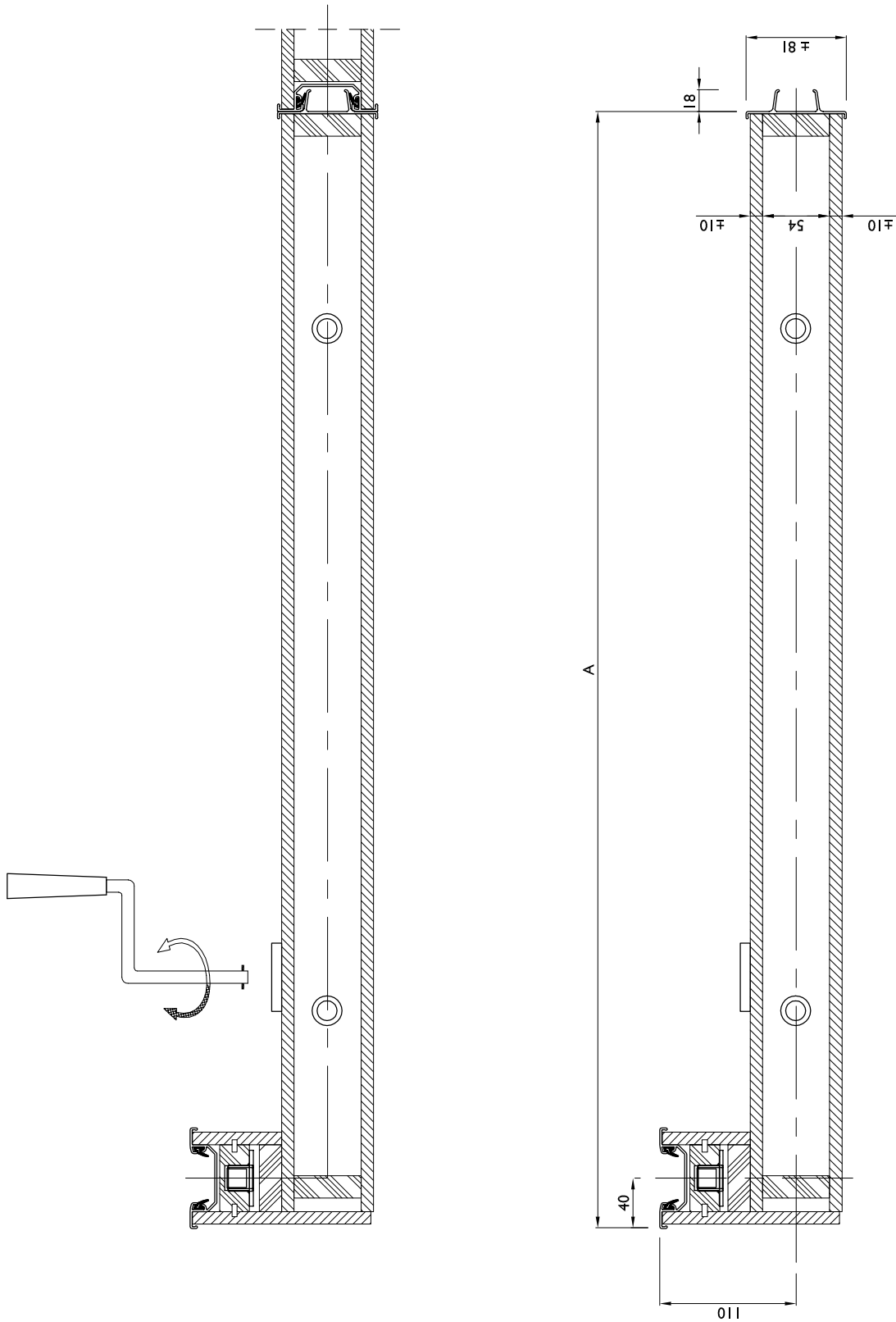
Scale 1:5

Size A4

Drawn FR

Revision	Date	By

PAL80-323



designed
for space



movable walls &
folding partitions
Panningen, The Netherlands

Palace 80

corner panel 90° (CP)
cross section
A = panelwidth

Date 25-04-2001

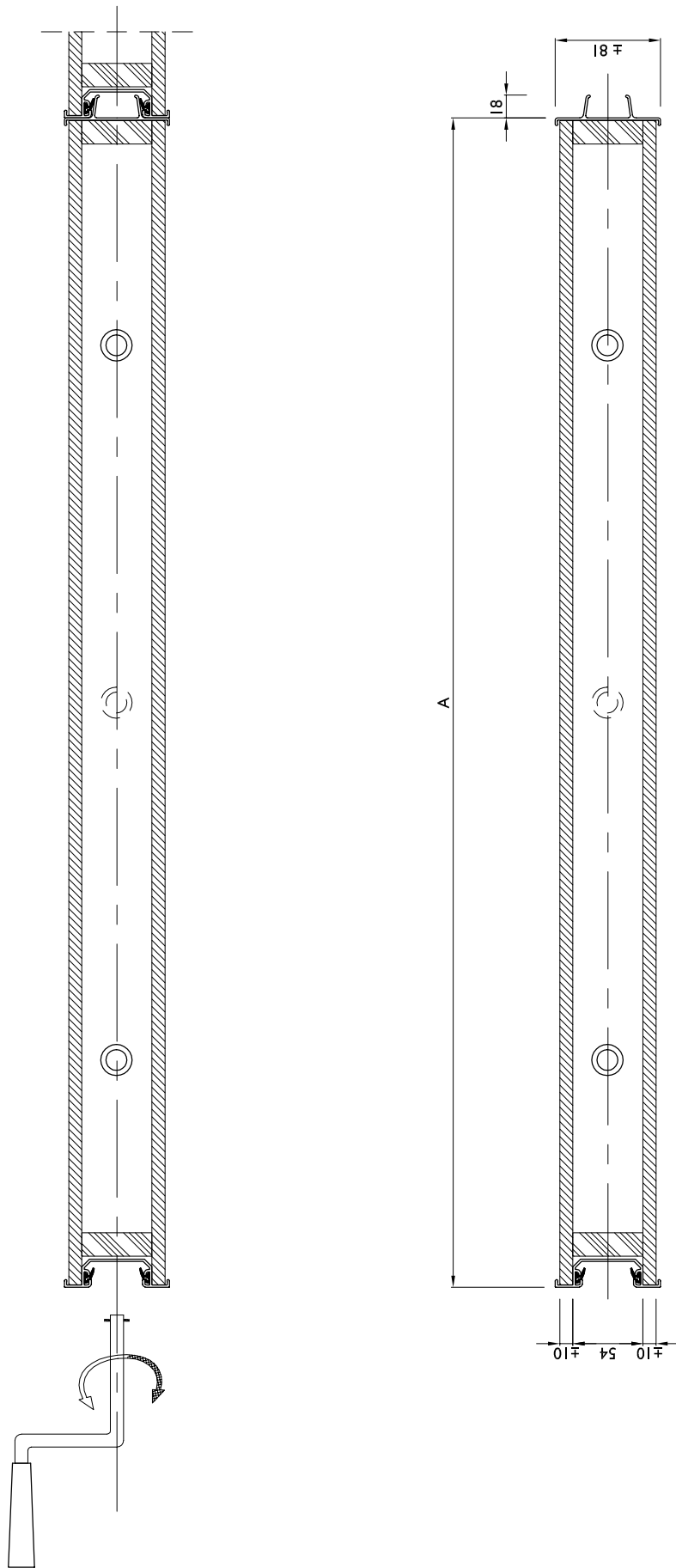
Scale 1:5

Size A4

Drawn FR

Revision	Date	By

PAL80-322



**designed
for space**



movable walls &
folding partitions
Panningen, The Netherlands

Palace 80

standard panel (SP)
cross section
A = panelwidth

Date 24-04-2001

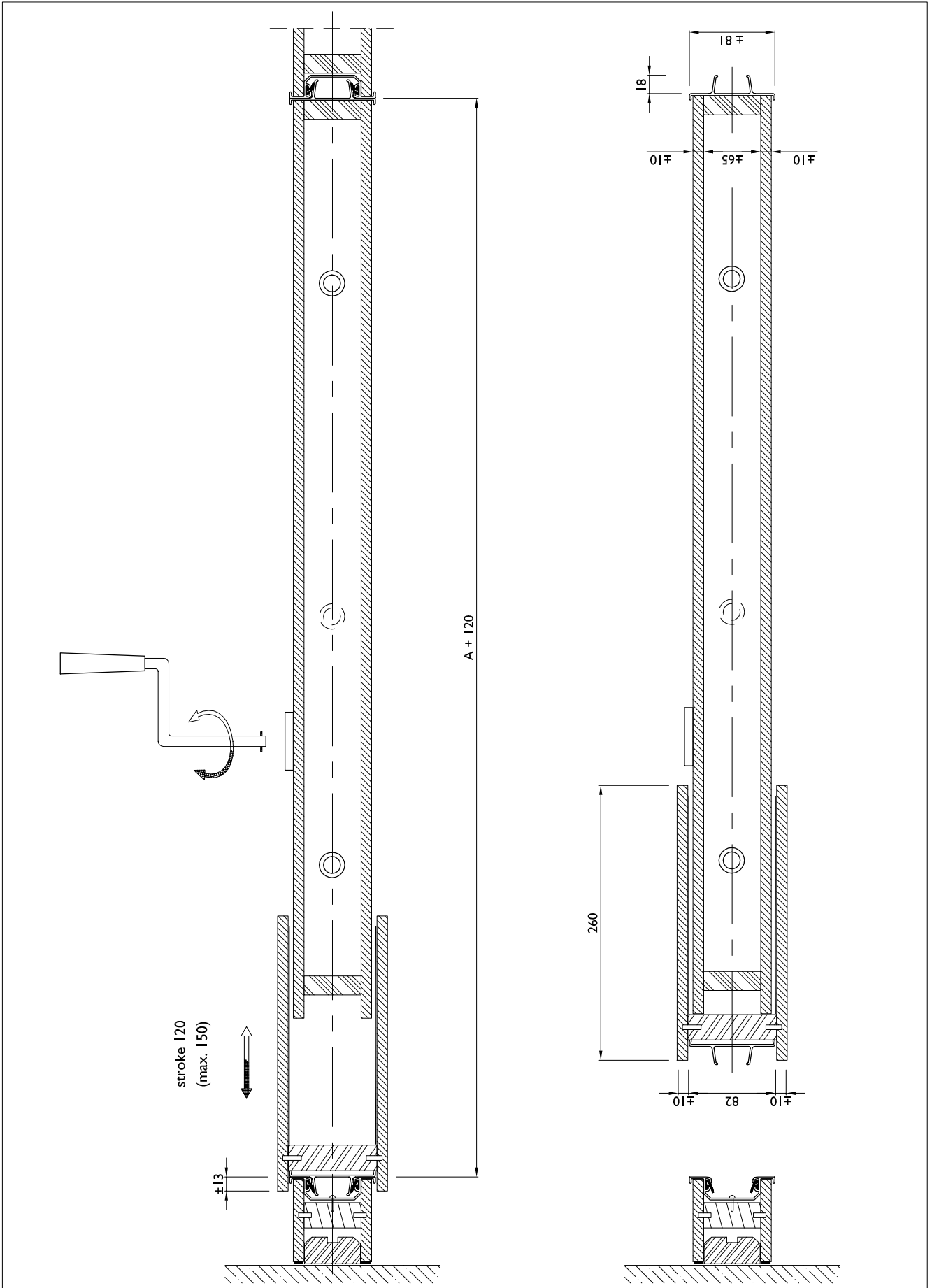
Scale 1:5

Size A4

Drawn FR

Revision	Date	By

PAL80-32 I



designed
for space



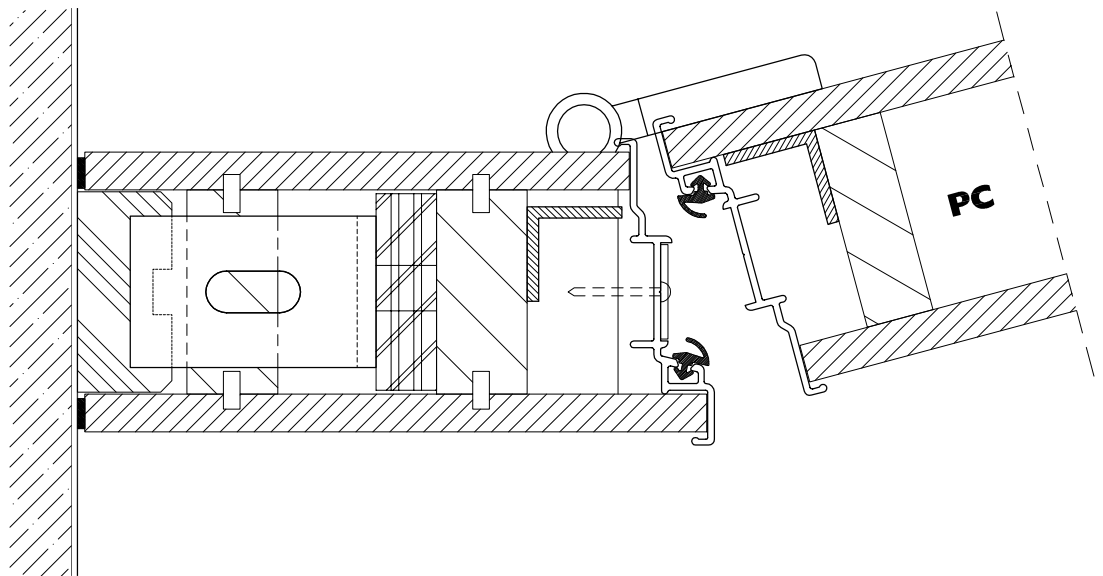
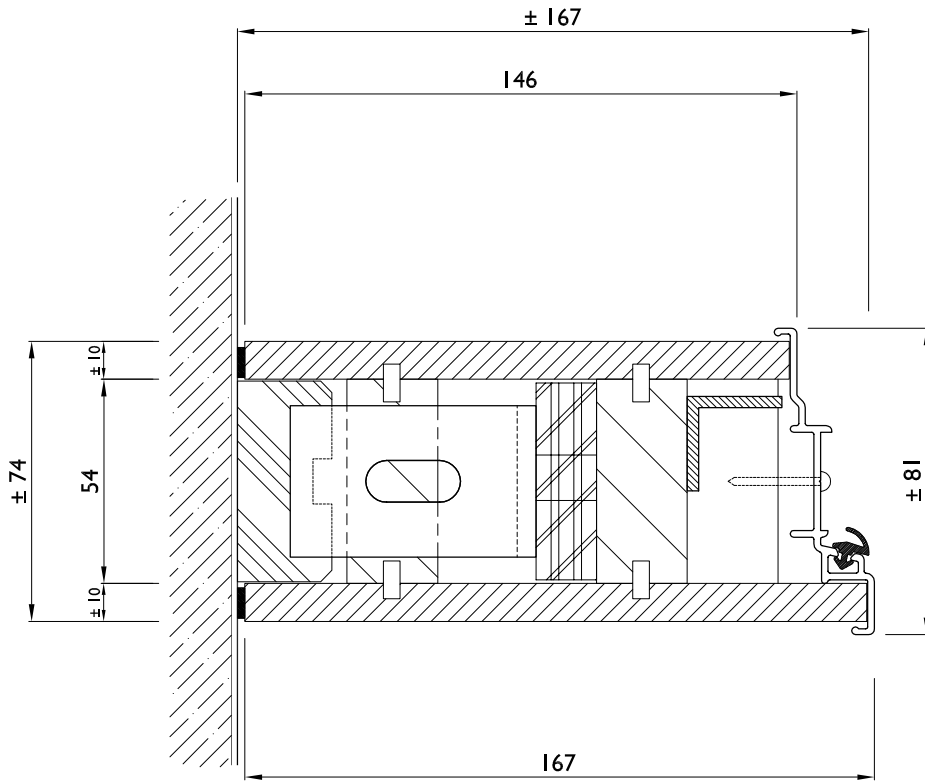
movable walls &
folding partitions
Panningen, The Netherlands

Palace 80

adjusting panel (AP)
cross section
A = panelwidth

Date	24-04-2001	
Scale	1:5	
Size	A4	
Drawn	FR	
Revision	Date	By

PAL80-320



designed
for space

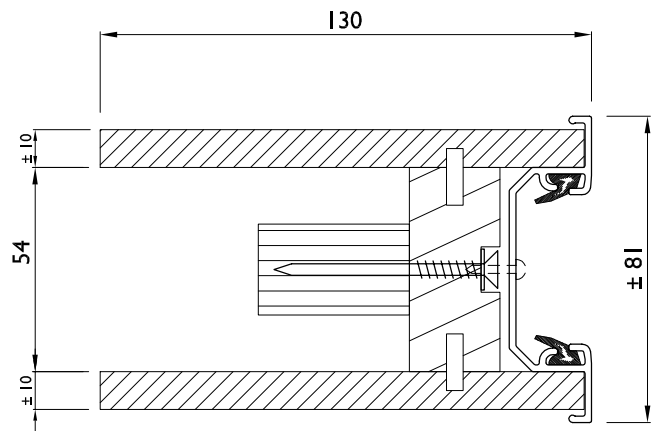
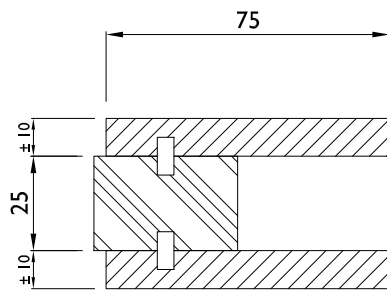
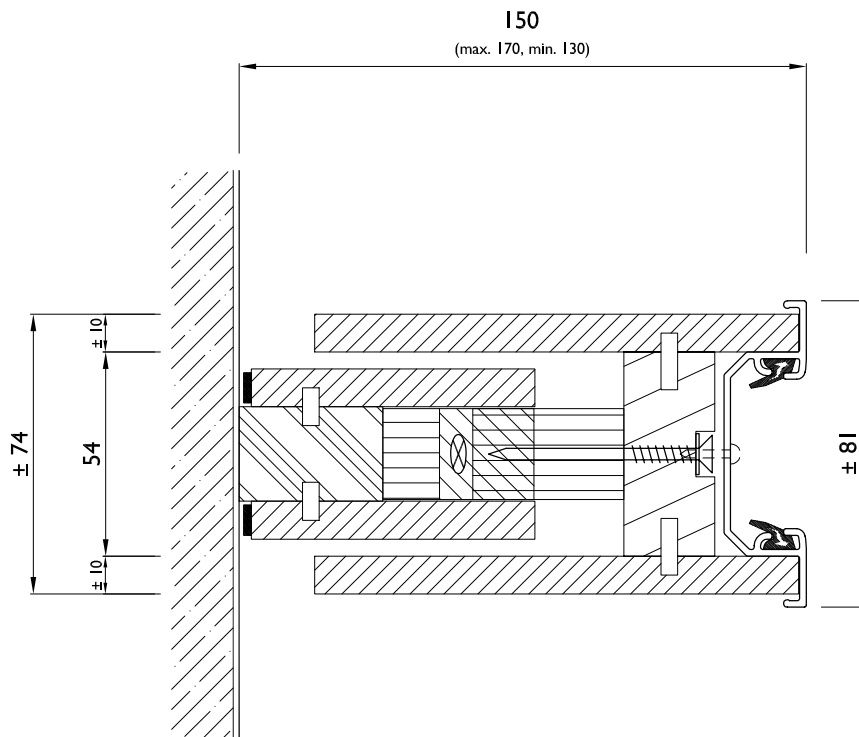


movable walls &
folding partitions
Panningen, The Netherlands

Palace 80
wall stanchion passdoor (WSP)
cross section

Date	24-04-2001	
Scale	1:2	
Size	A4	
Drawn	FR	
Revision	Date	By

PAL80-312



designed
for space



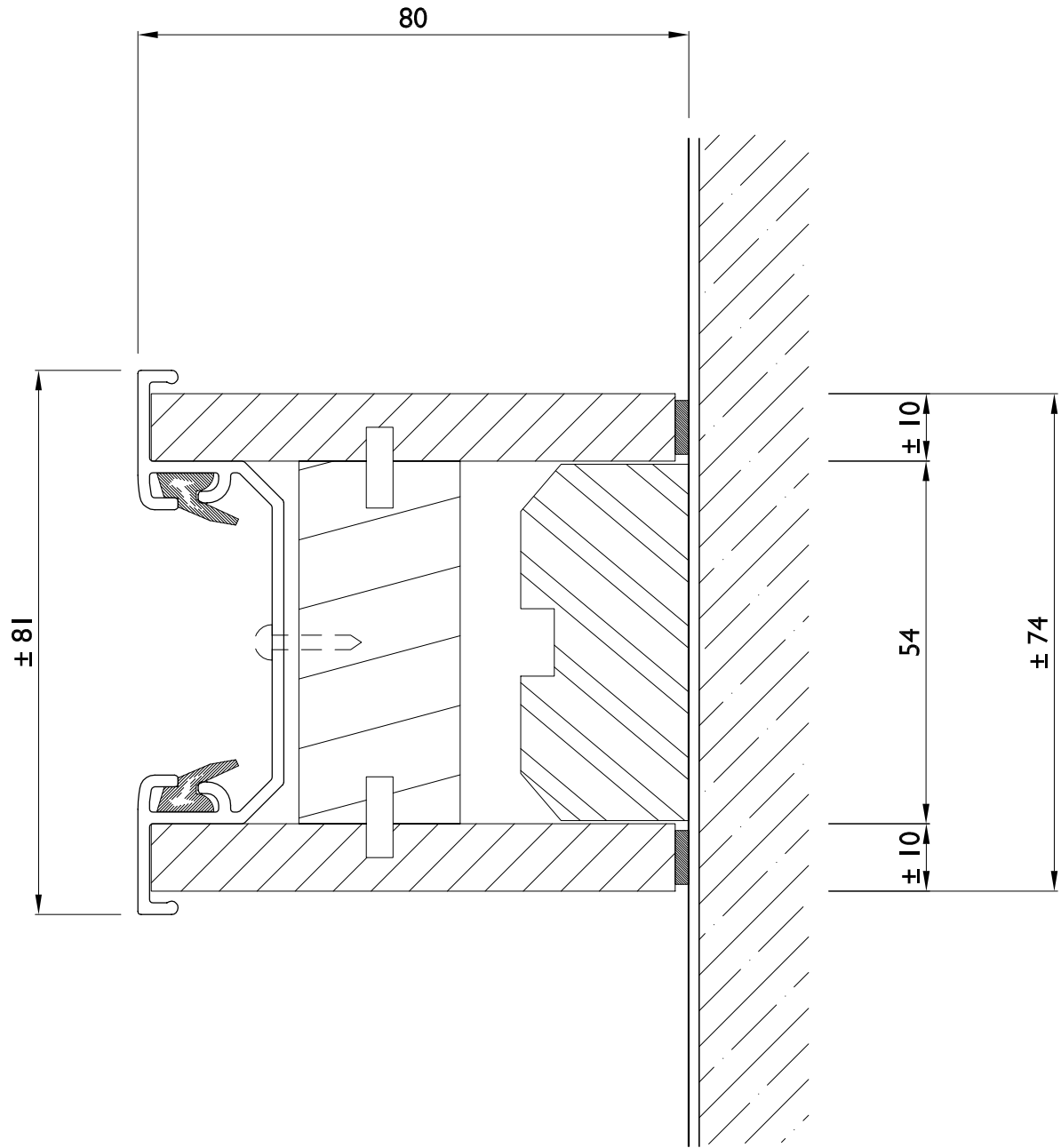
movable walls &
folding partitions
Panningen, The Netherlands

Palace 80

wall stanchion variable 150 mm (WSV)
cross section

Date	24-04-2001	
Scale	1:2	
Size	A4	
Drawn	FR	
Revision	Date	By

PAL80-311



**designed
for space**

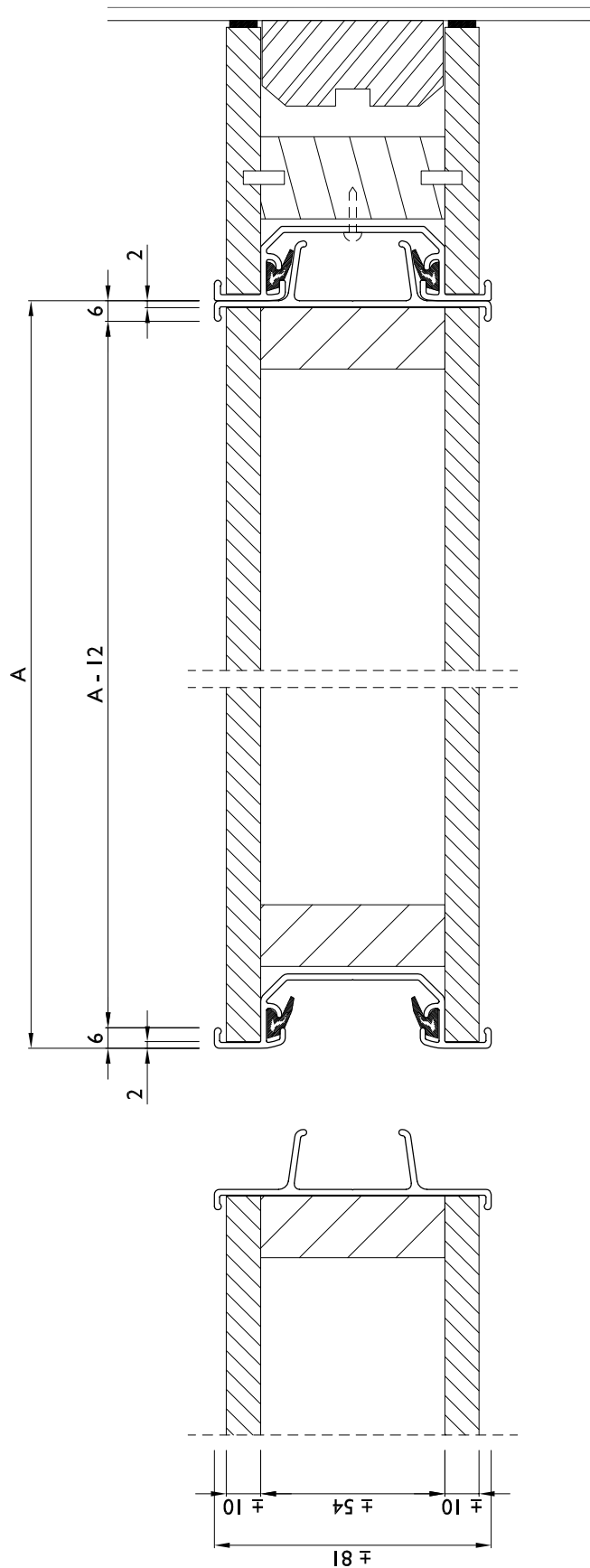


**movable walls &
folding partitions**
Panningen, The Netherlands

Palace 80
wall stanchion standard 80 mm (WSS)
cross section

Date	24-04-2001	
Scale	1:1	
Size	A4	
Drawn	FR	
Revision	Date	By

PAL80-310



designed
for space



movable walls &
folding partitions
Panningen, The Netherlands

Palace 80

panels standard with enclosed edges
cross section
A = panelwidth

Date 24-04-2001

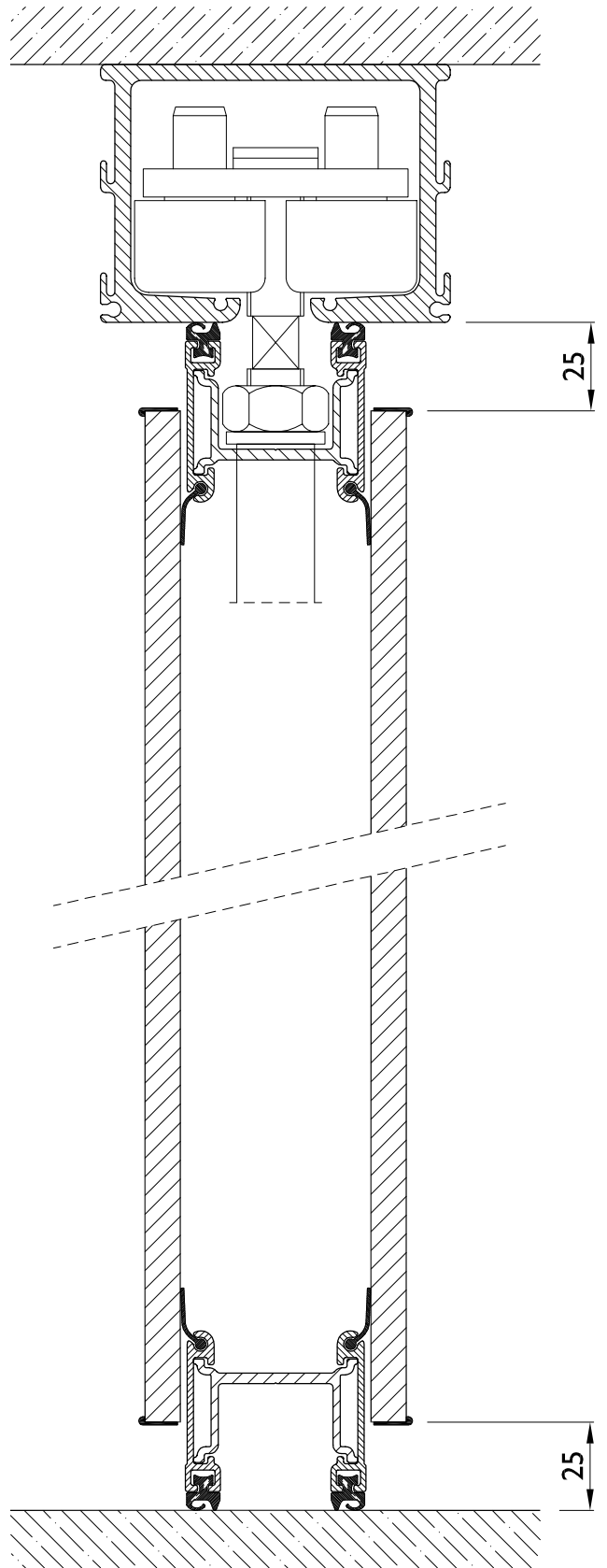
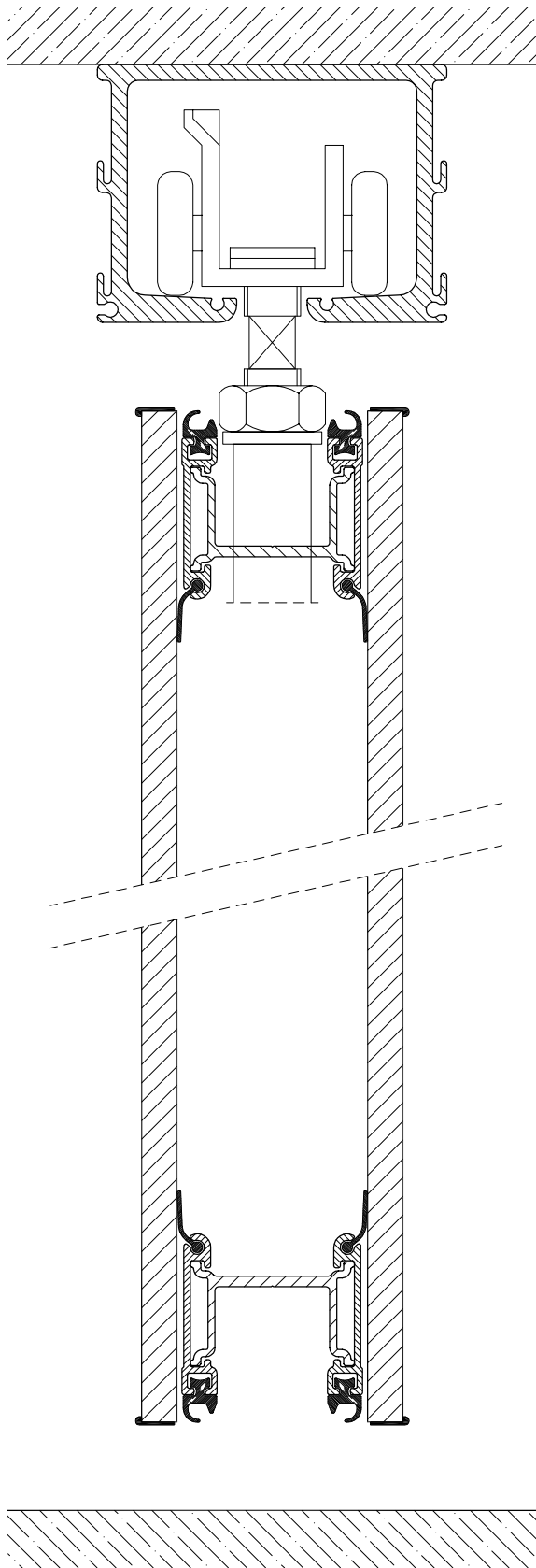
Scale 1:2

Size A4

Drawn FR

Revision	Date	By

PAL80-301



**designed
for space**

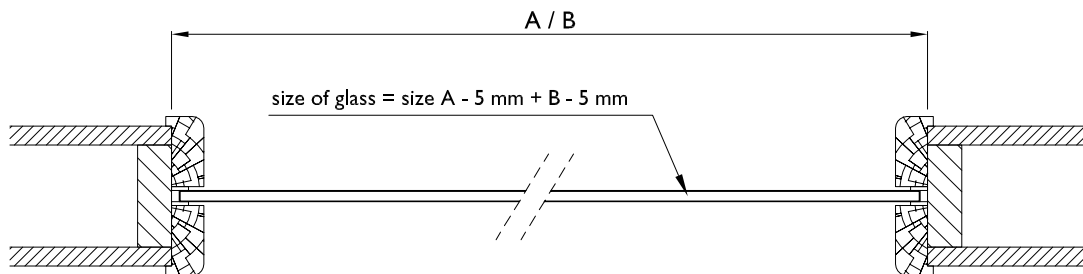
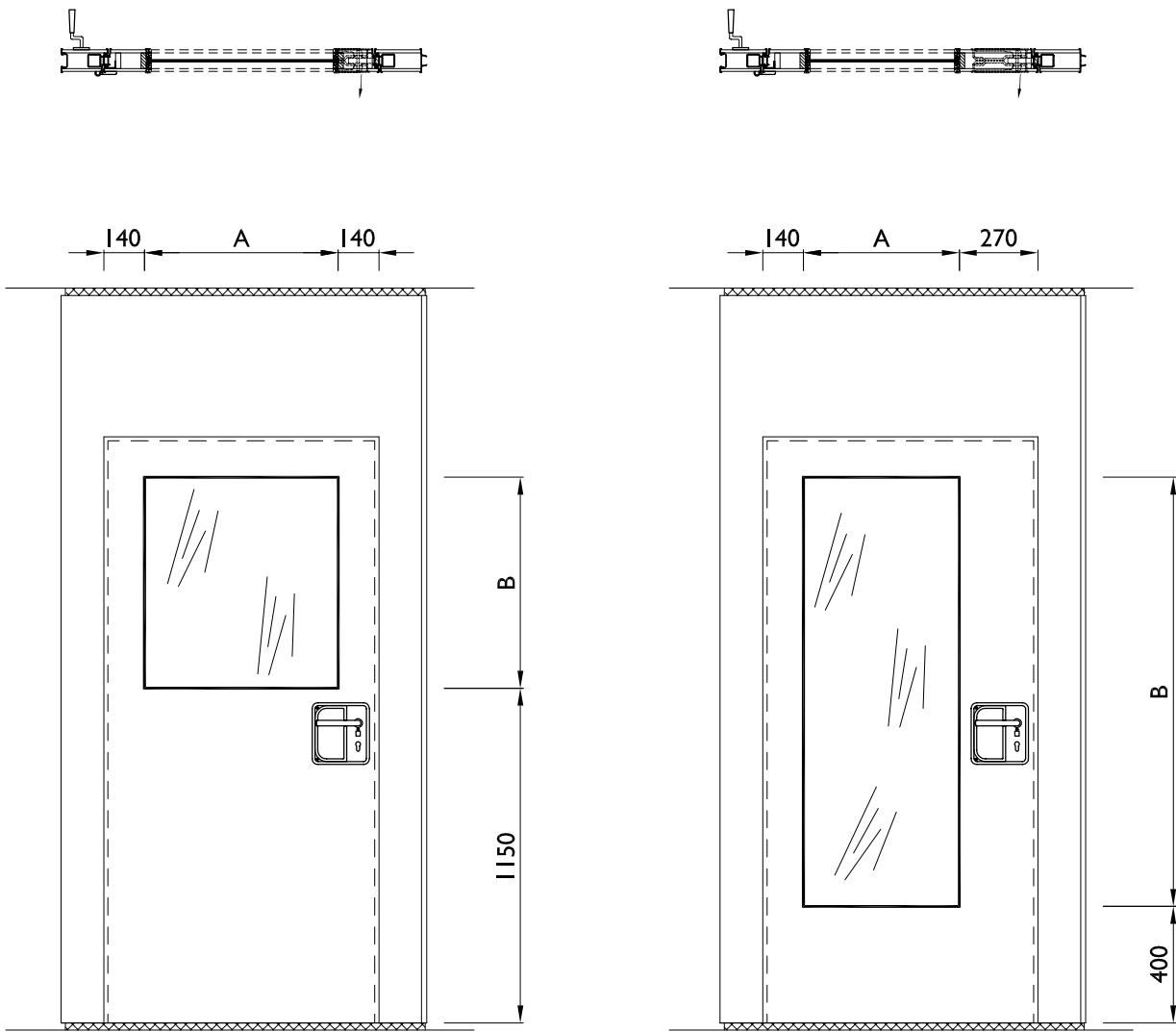


**movable walls &
folding partitions**
Panningen, The Netherlands

Palace 80
cross section panels

Date	24-04-2001	
Scale	1:2	
Size	A4	
Drawn	FR	
Revision	Date	By

PAL80-300



designed
for space



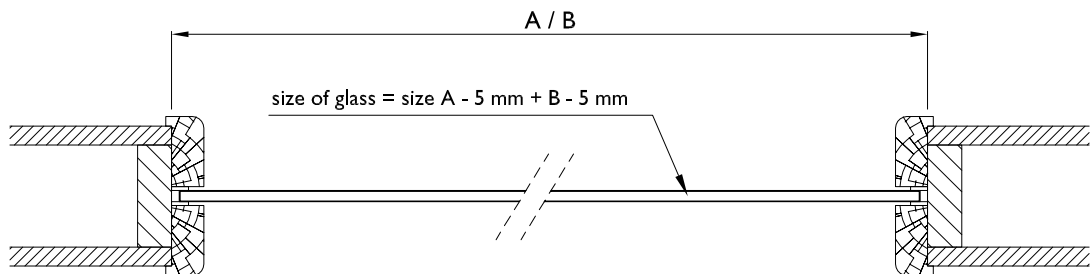
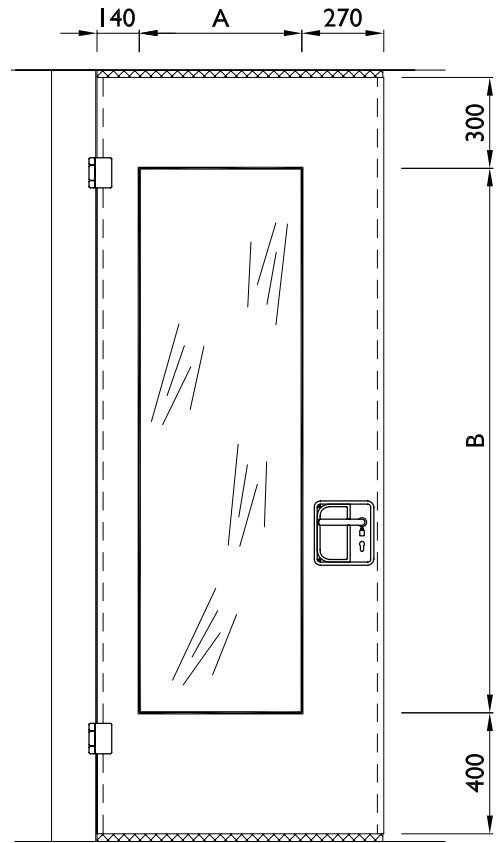
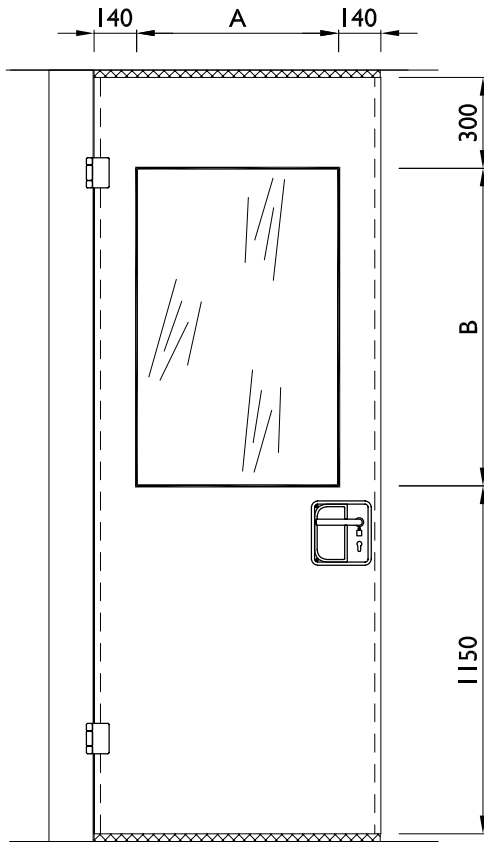
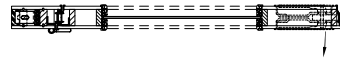
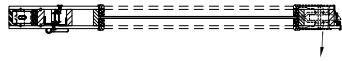
movable walls &
folding partitions
Panningen, The Netherlands

Palace 80

wicket door panel WP
maximum dimensions glass opening

Date	24-04-2001	
Scale	1:25 / 1:4	
Size	A4	
Drawn	FR	
Revision	Date	By

PAL80-253



**designed
for space**



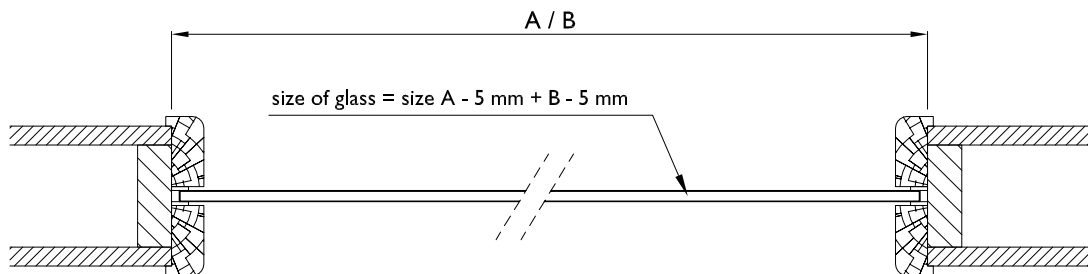
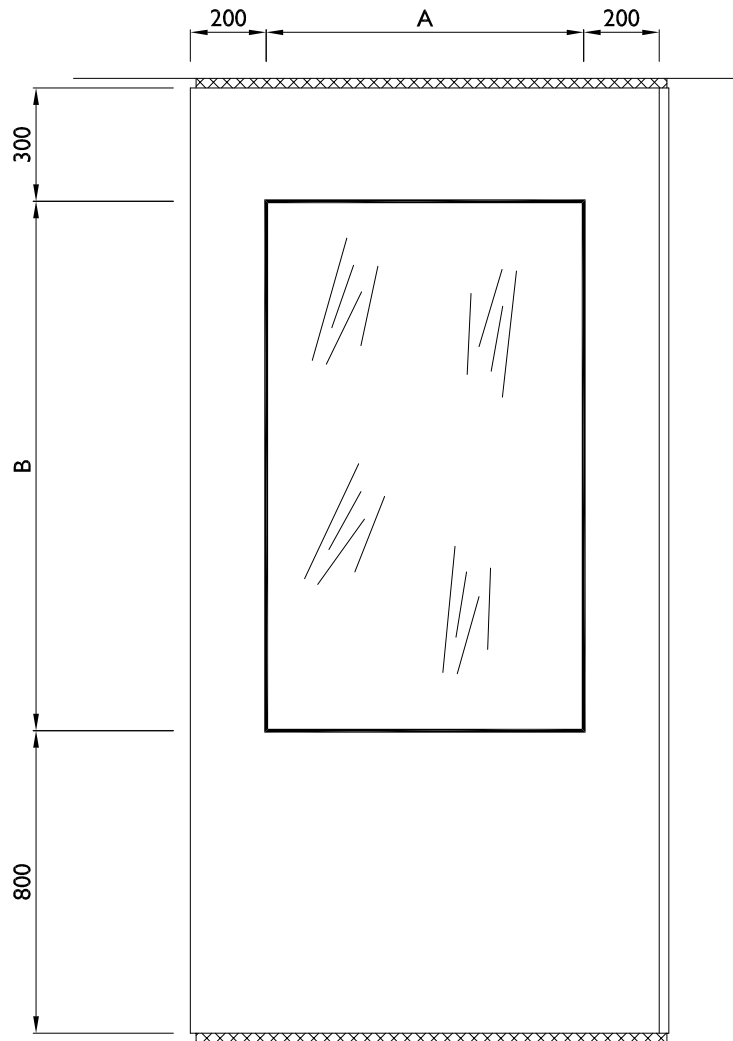
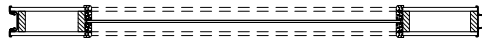
**movable walls &
folding partitions**
Panningen, The Netherlands

Palace 80

pass door PC
maximum dimensions glass opening

Date	24-04-2001	
Scale	1:25 / 1:4	
Size	A4	
Drawn	FR	
Revision	Date	By

PAL80-252



**designed
for space**



**movable walls &
folding partitions**
Panningen, The Netherlands

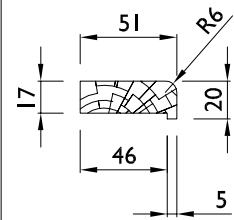
Palace 80

standard panel SP
maximum dimensions glass opening

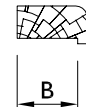
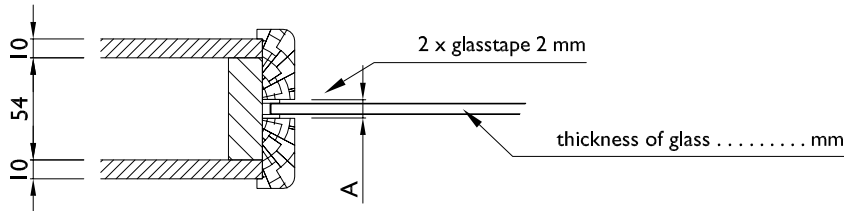
Date	24-04-2001	
Scale	1:20 / 1:4	
Size	A4	
Drawn	FR	
Revision	Date	By

PAL80-25 I

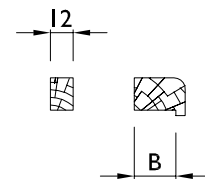
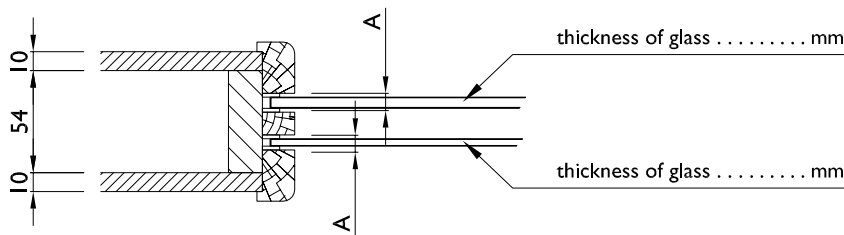
default dimension glass timber



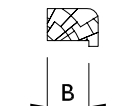
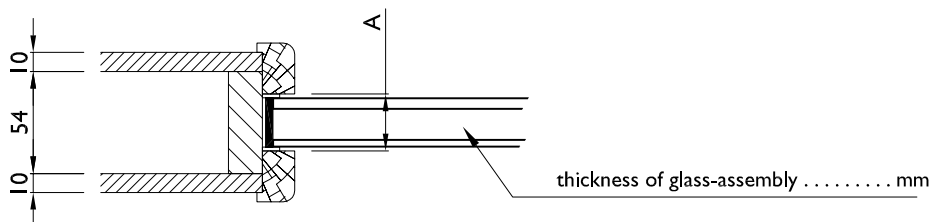
single glass



2 x single glass



insulated glass



size A = thickness of glass + 4 mm, size B to be determined for each project



designed
for space



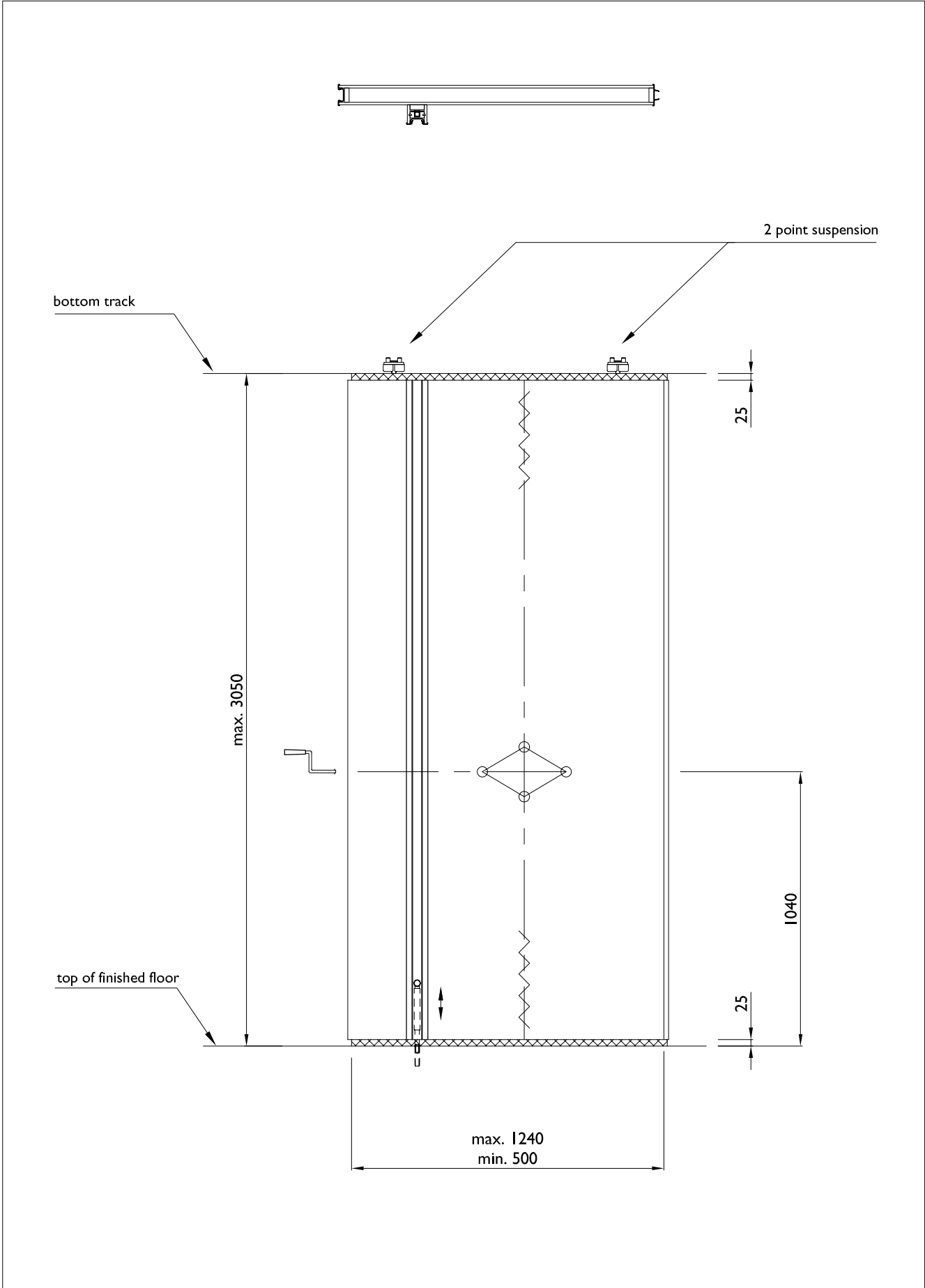
movable walls &
folding partitions
Panningen, The Netherlands

Palace 80

standard glass-timber options

unless clearly specified otherwise:
glass-timber always in meranti unfinished
glass is never supplied

Date	24-04-2001	
Scale	1:4	
Size	A4	
Drawn	FR	
Revision	Date	By
PAL80-250		



designed
for space



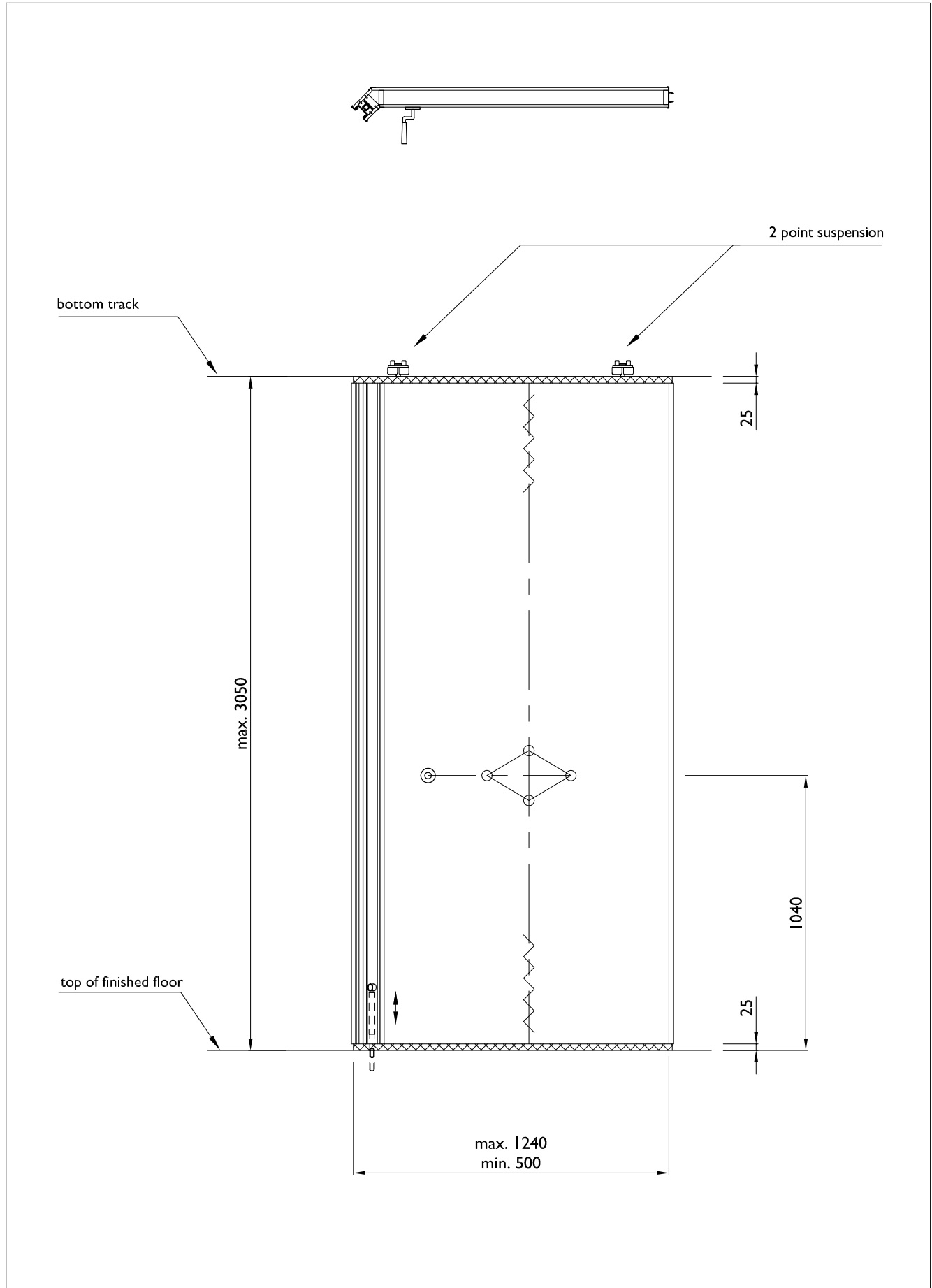
movable walls &
folding partitions
Panningen, The Netherlands

Palace 80

corner panel 90° (CP type T)

Date	24-04-2001	
Scale	1:20	
Size	A4	
Drawn	FR	
Revision	Date	By

PAL80-229

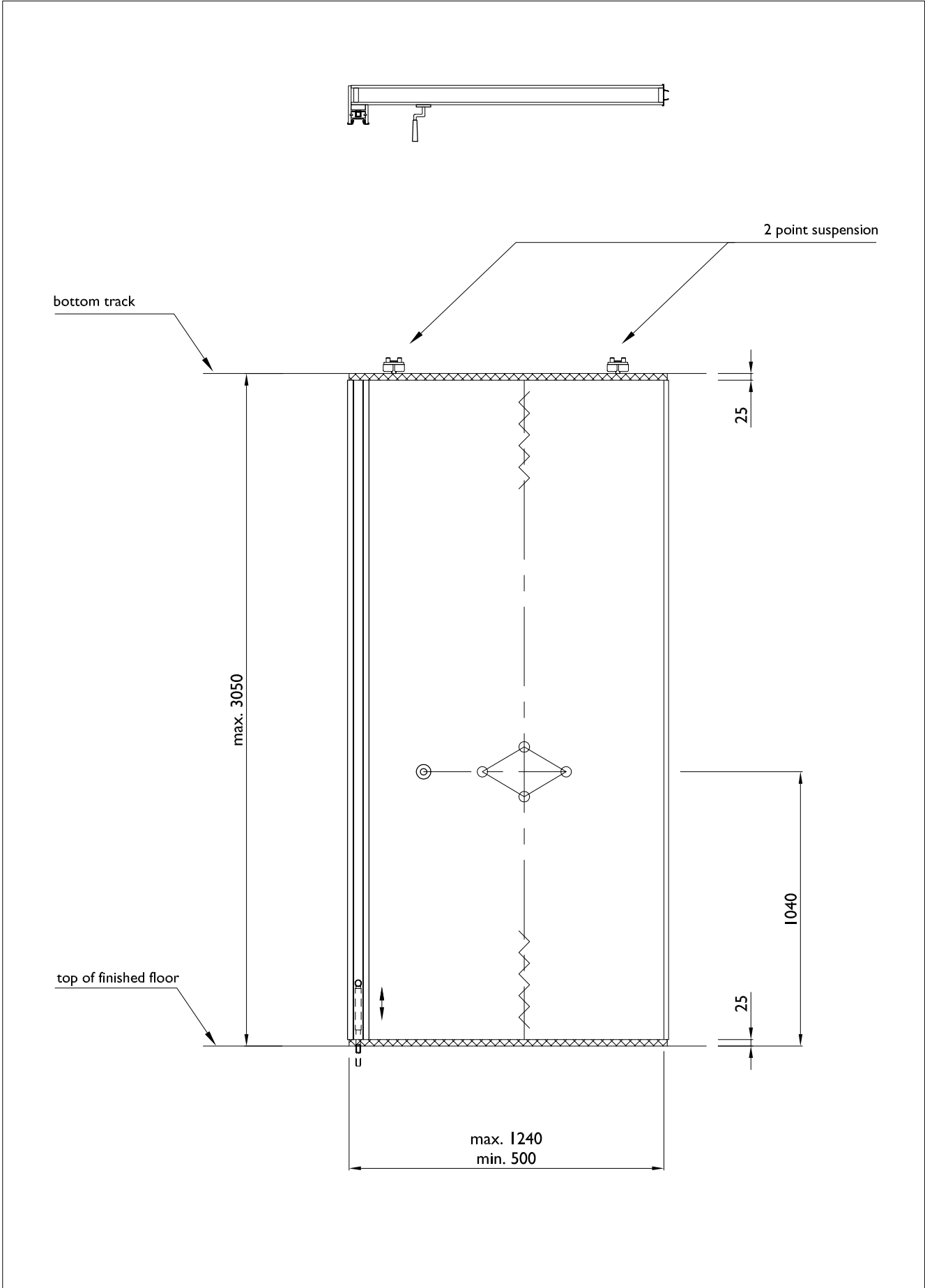


PARTHOS
designed for space

movable walls & folding partitions
 Panningen, The Netherlands

Palace 80
 corner panel variable° (CP type V)

Date	24-04-2001	
Scale	1:20	
Size	A4	
Drawn	FR	
Revision	Date	By
PAL80-228		



designed
for space



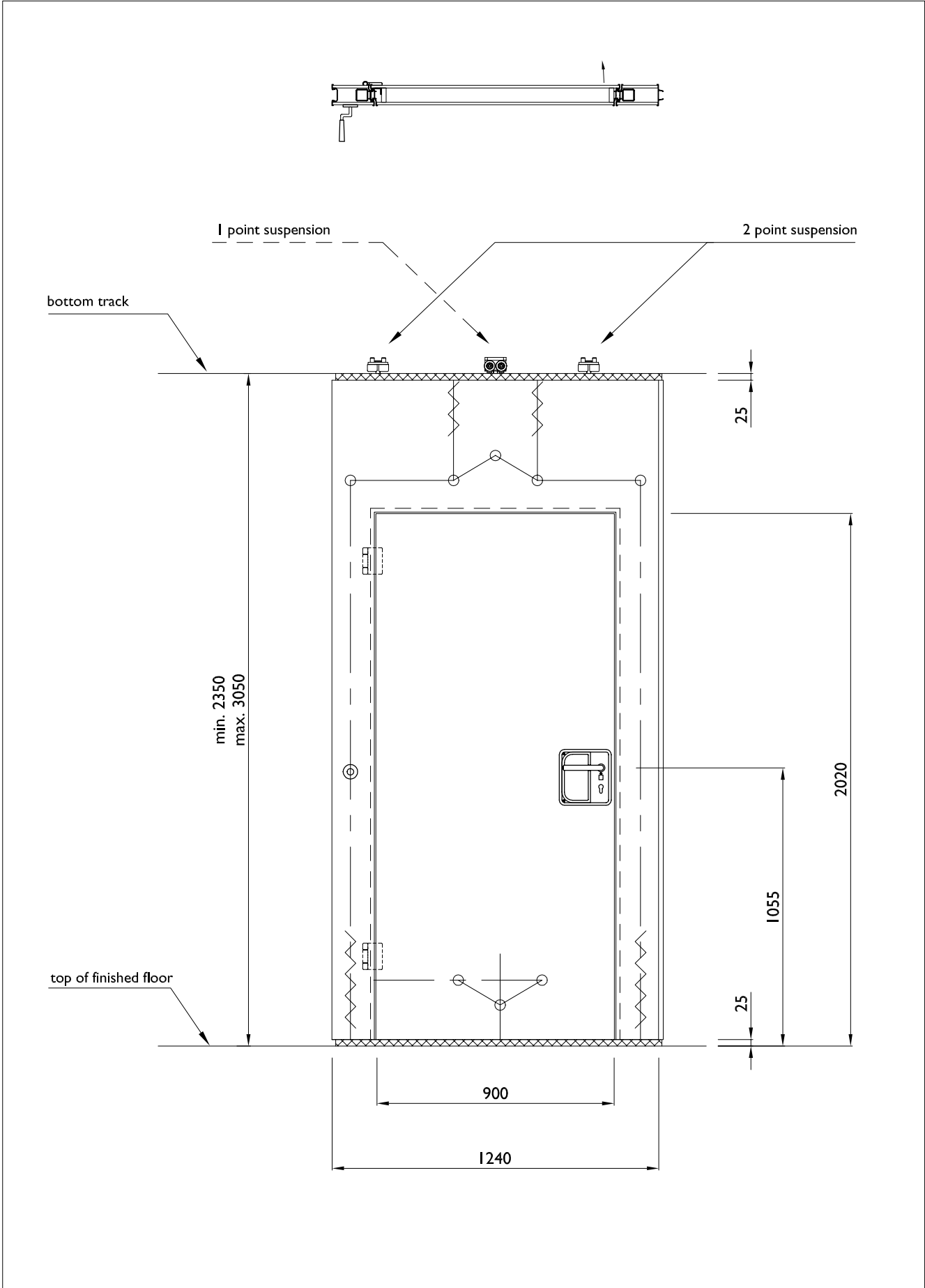
movable walls &
folding partitions
Panningen, The Netherlands

Palace 80

corner panel 90° (CP type L)

Date	24-04-2001	
Scale	1:20	
Size	A4	
Drawn	FR	
Revision	Date	By

PAL80-227



designed
for space



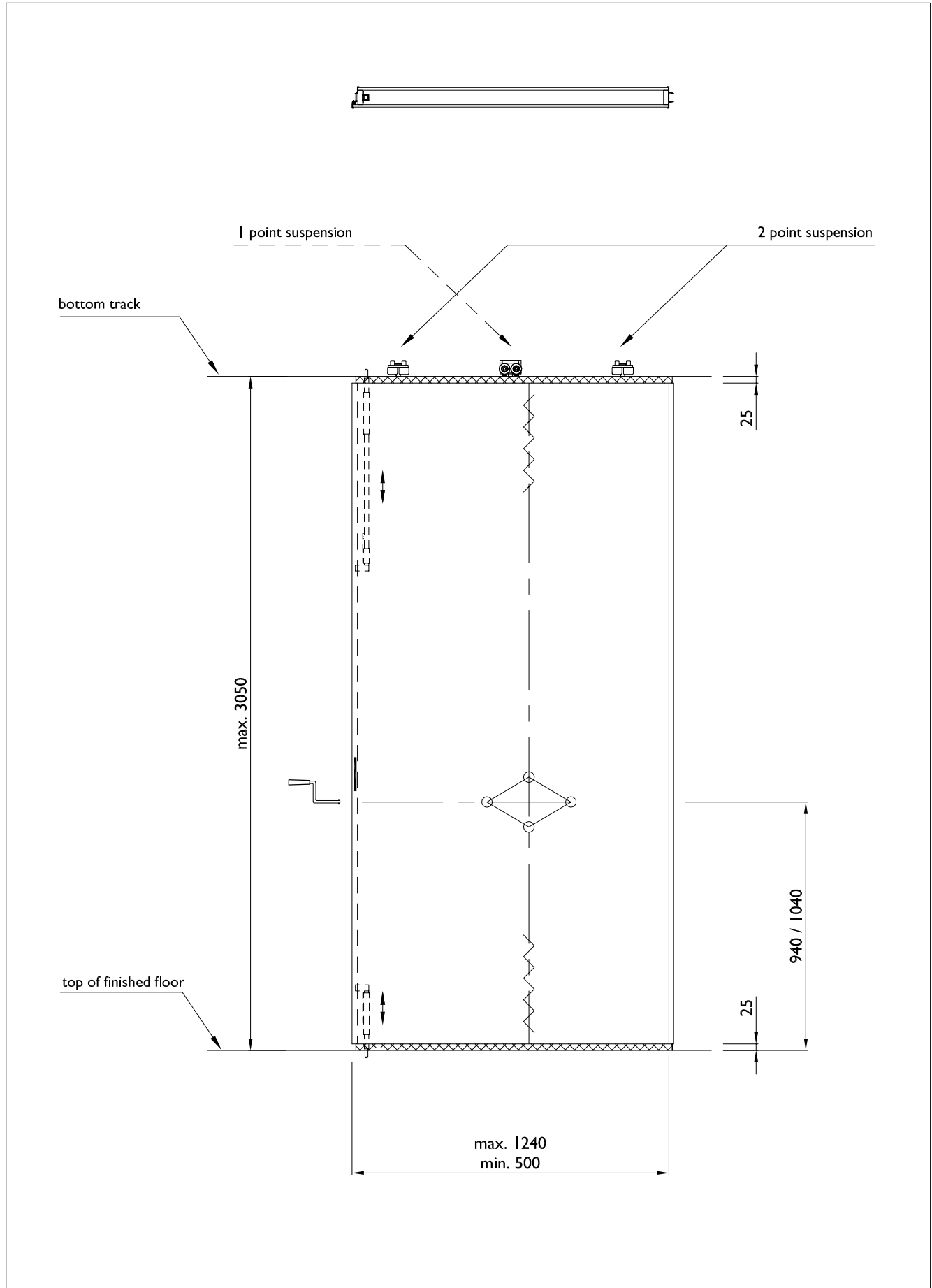
movable walls &
folding partitions
Panningen, The Netherlands

Palace 80

wicket passdoor panel (WP)

Date	24-04-2001	
Scale	1:20	
Size	A4	
Drawn	FR	
Revision	Date	By

PAL80-226



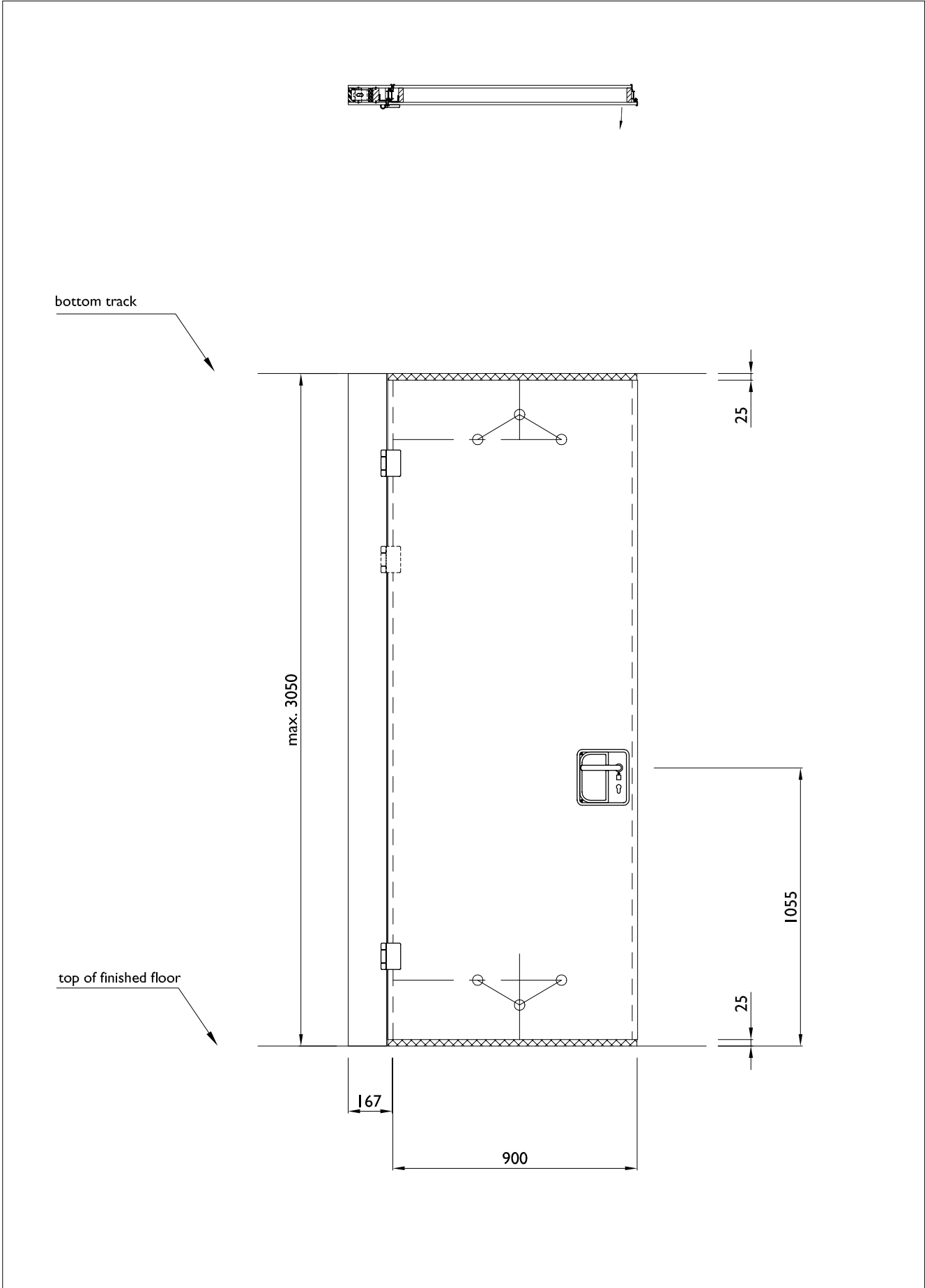
designed
for space



movable walls &
folding partitions
Panningen, The Netherlands

Palace 80
pass door closing panel (PCP)

Date	24-04-2001	
Scale	1:20	
Size	A4	
Drawn	FR	
Revision	Date	By
PAL80-225		



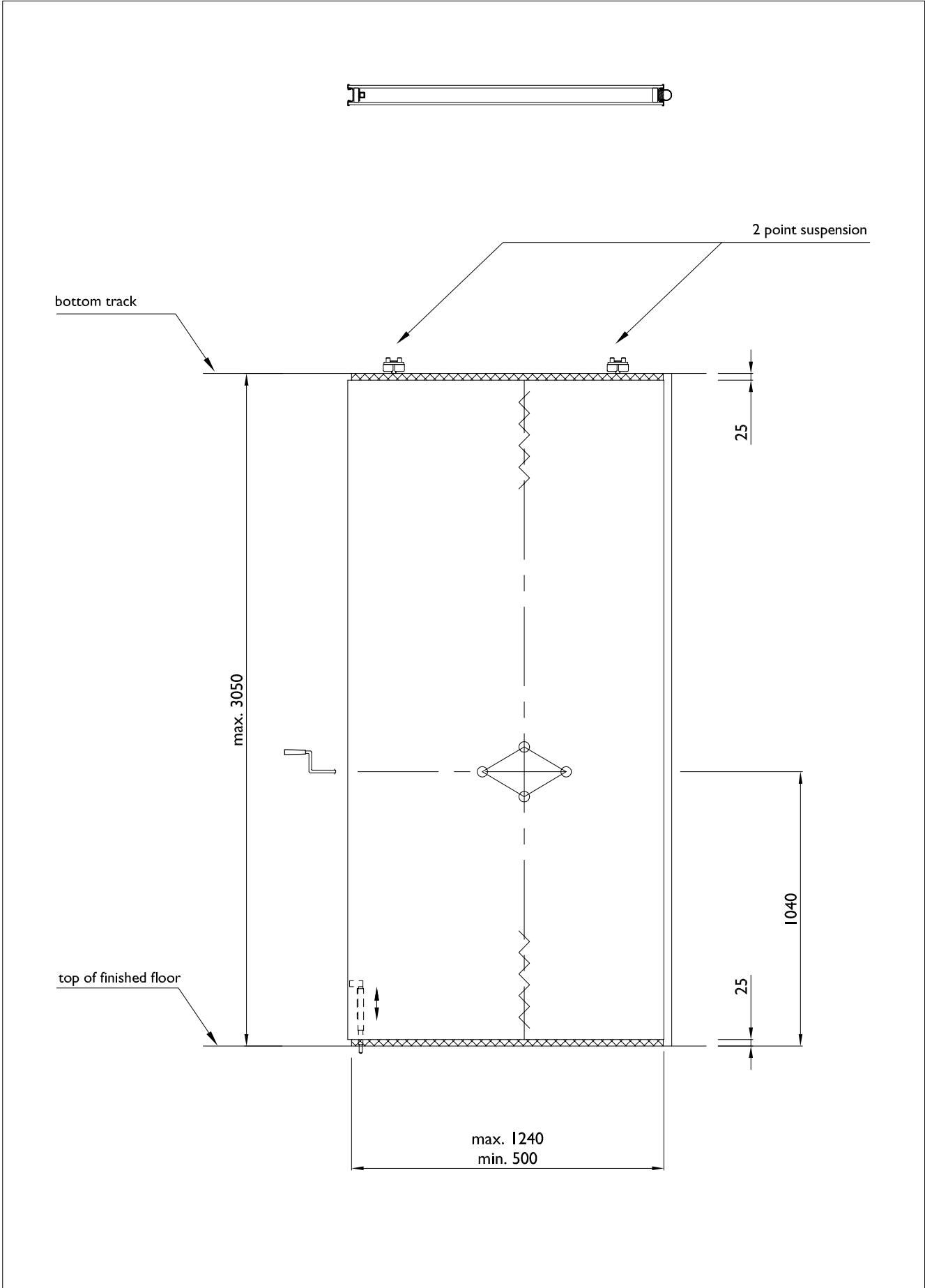
designed
for space



movable walls &
folding partitions
Panningen, The Netherlands

Palace 80
full height pass door (PC)

Date	24-04-2001	
Scale	1:20	
Size	A4	
Drawn	FR	
Revision	Date	By
PAL80-224		



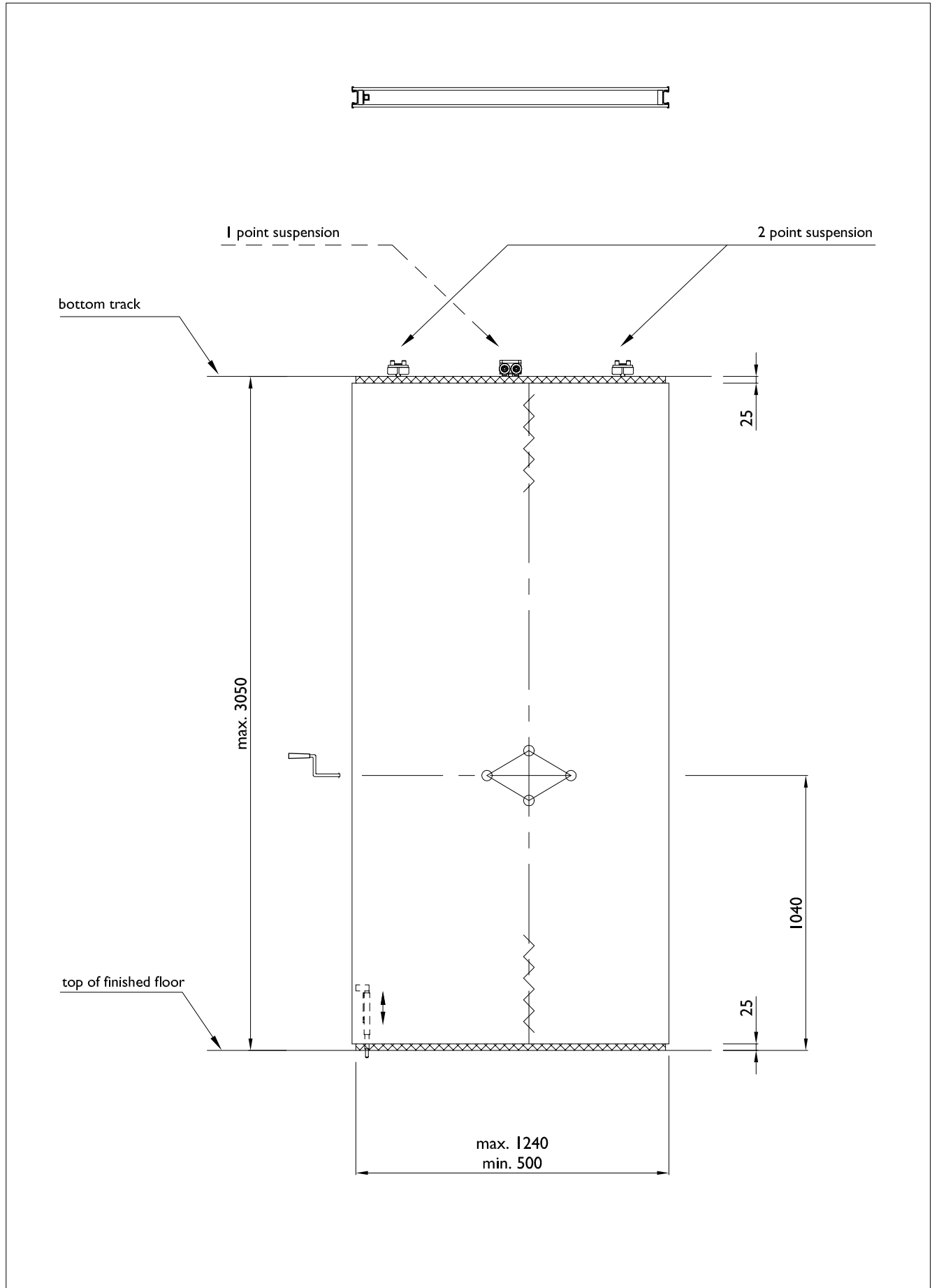
designed
for space



movable walls &
folding partitions
Panningen, The Netherlands

Palace 80
end wall panel (EWP)

Date	24-04-2001	
Scale	1:20	
Size	A4	
Drawn	FR	
Revision	Date	By
PAL80-223		

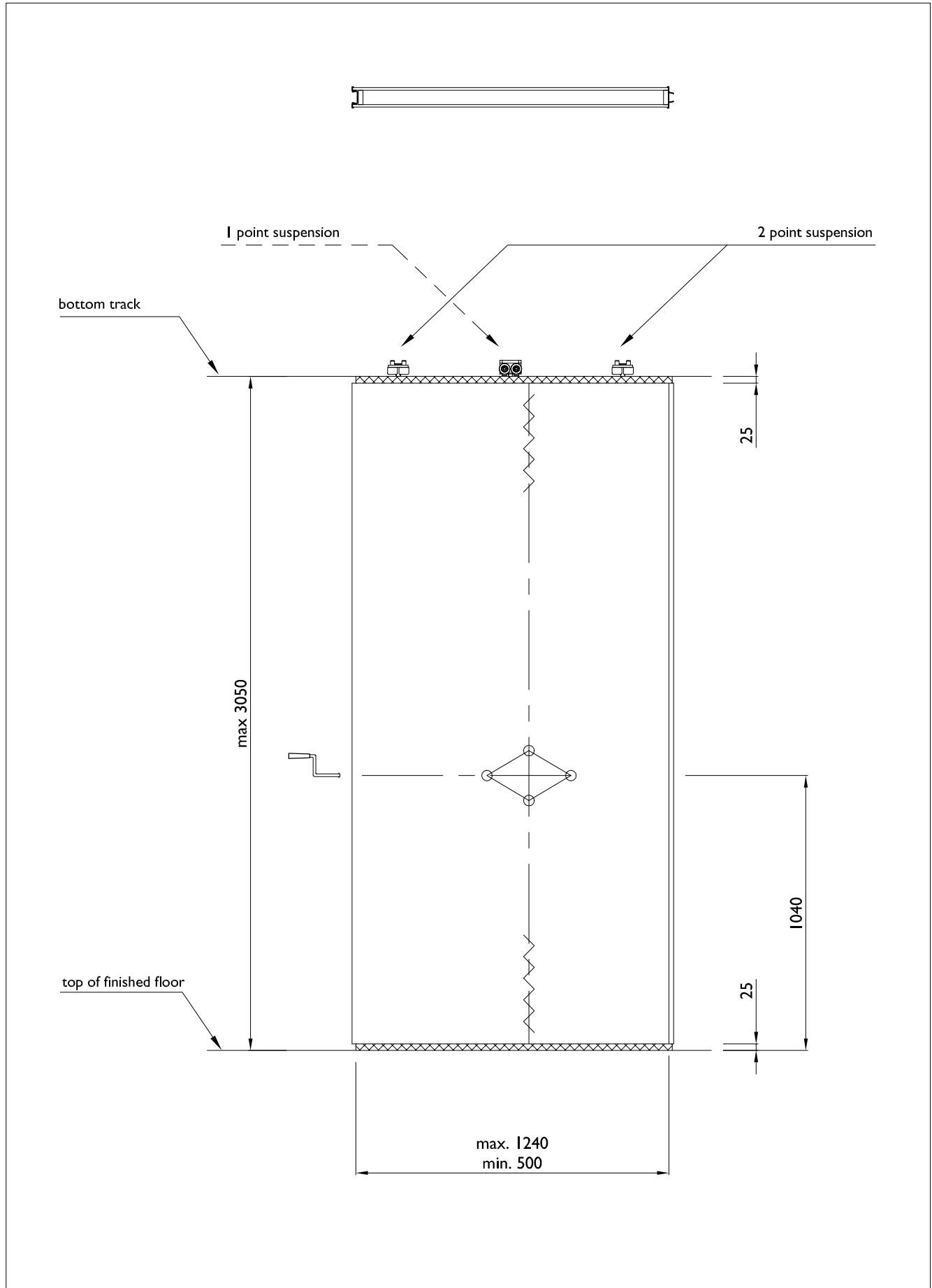


PARTHOS
designed
for space

movable walls &
folding partitions
Panningen, The Netherlands

Palace 80
double counter profile panel (DCPP)

Date	24-04-2001	
Scale	1:20	
Size	A4	
Drawn	FR	
Revision	Date	By
PAL80-222		

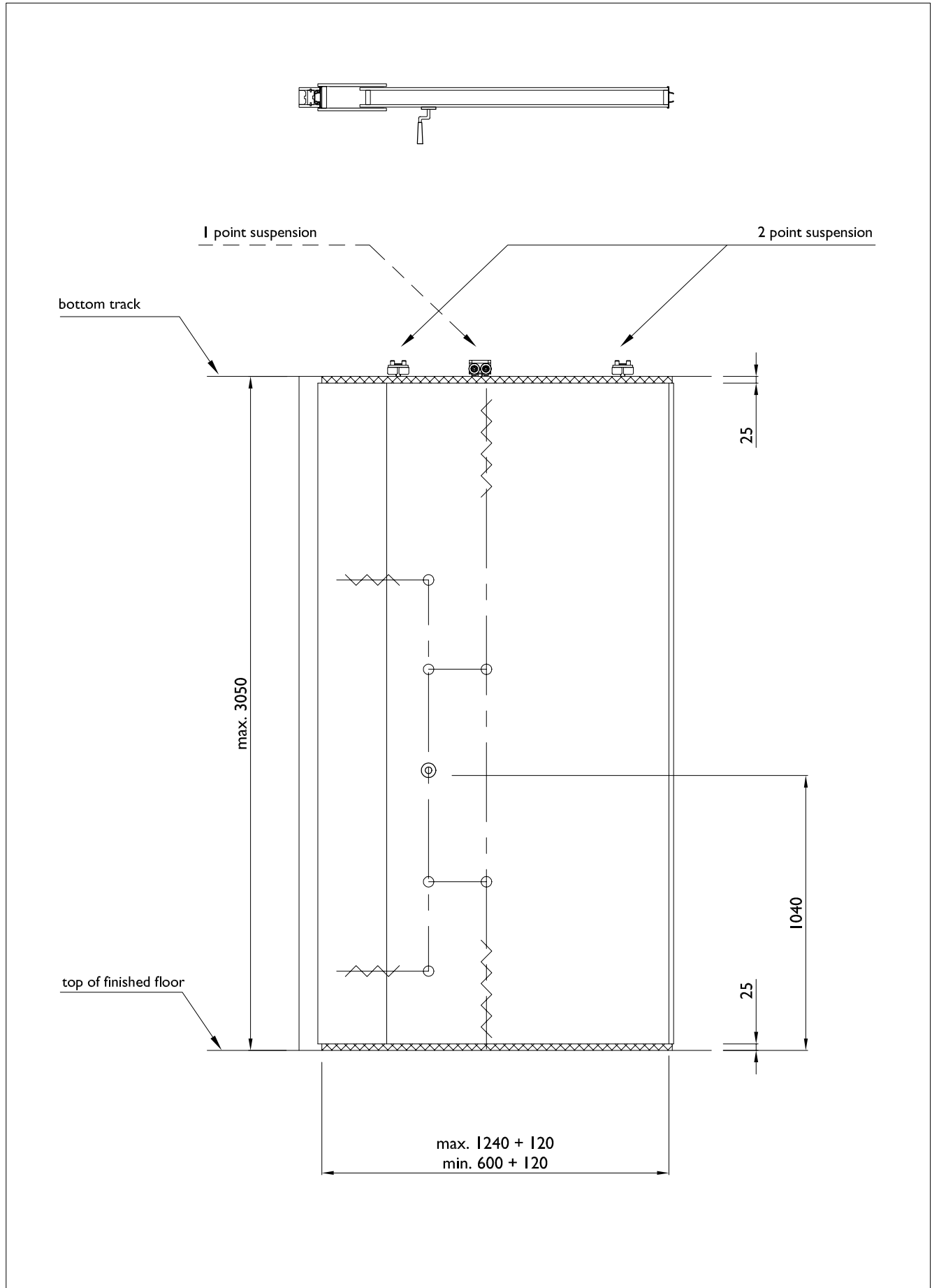


PARTHOS
designed for space

movable walls & folding partitions
 Panningen, The Netherlands

Palace 80
 standard panel (SP)

Date	24-04-2001	
Scale	1:20	
Size	A4	
Drawn	FR	
Revision	Date	By
PAL80-221		

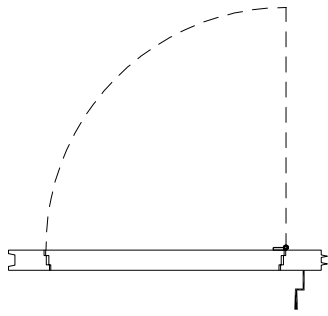


PARTHOS
designed for space

movable walls & folding partitions
 Panningen, The Netherlands

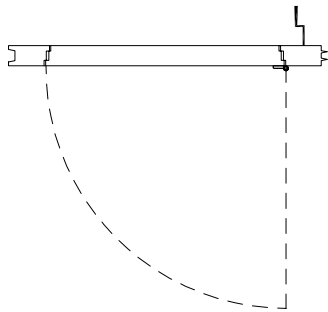
Palace 80
 adjusting panel (AP)

Date	24-04-2001	
Scale	1:20	
Size	A4	
Drawn	FR	
Revision	Date	By
PAL80-220		



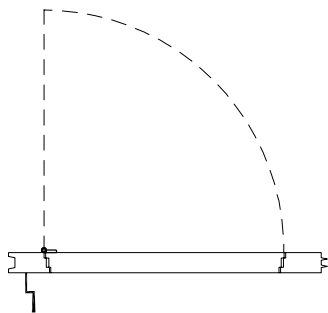
WP-LN

Left closing, and hinges at
Nose side



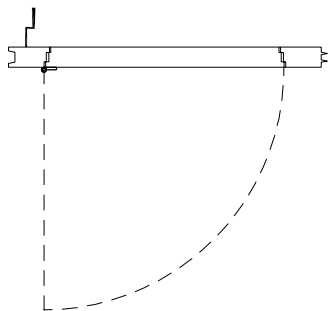
WP-RN

Right closing, and hinges at
Nose side



WP-RC

Right closing, and hinges at
Counter side



WP-LC

Left closing, and hinges at
Counter side



**designed
for space**



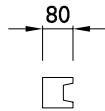
**movable walls &
folding partitions**
Panningen, The Netherlands

Palace 80

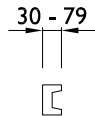
wicket door panel (WP)
opening direction specification

Date	24-04-2001	
Scale	1:30	
Size	A4	
Drawn	FR	
Revision	Date	By

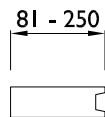
PAL80-212



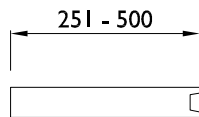
WSS (Wall Stanchion Standard, 80 mm)



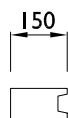
WS (Wall Stanchion small, 30 - 79 mm)



WS (Wall Stanchion medium, 81 - 250 mm)



WS (Wall Stanchion large, 251 - 500 mm)



WSV (Wall Stanchion Variable, 150 mm)



designed
for space



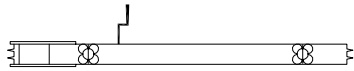
movable walls &
folding partitions
Panningen, The Netherlands

Palace 80

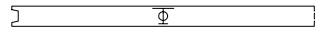
wall stanchions
drawing shortname specification

Date	23-04-2001	
Scale	1:20	
Size	A4	
Drawn	FR	
Revision	Date	By

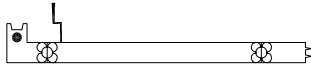
PAL80-211



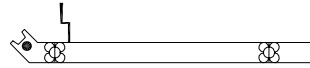
AP (Adjusting Panel)



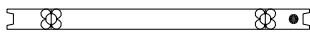
SP (Standard Panel)



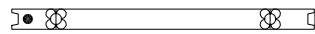
CP (Corner Panel 90 degrees)



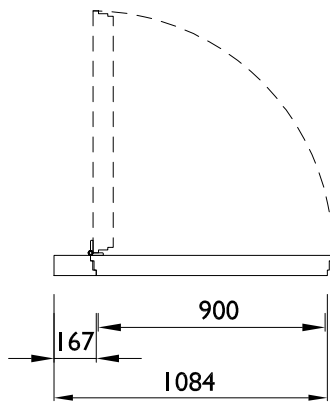
CP (Corner Panel angled)



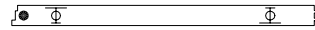
DCPP (Double Counter Profile Panel)



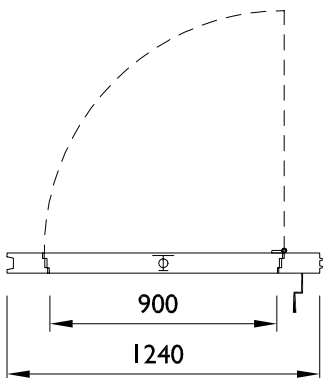
EWP (End Wall Panel)



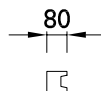
PC (Pass door Complete) L/R



PCP (Pass door Closing Panel) L/R



WP (Wicket door Panel)



WSS (Wall Stanchion Standard)



designed for space



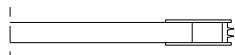
movable walls & folding partitions
Panningen, The Netherlands

Palace 80

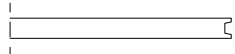
symbols in layout drawings
basic executions

Date	09-04-2001	
Scale	1:30	
Size	A4	
Drawn	FR	
Revision	Date	By

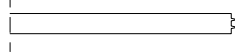
PAL80-201



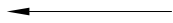
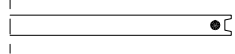
telescopic part



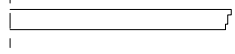
counterprofile



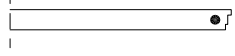
noseprofile



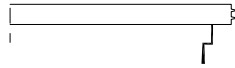
counterprofile with floor bolt (espagnolet)



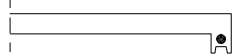
pass door closing profile



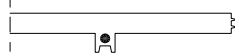
pass door closing profile with floor bolt (espagnolet)



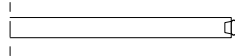
operating handle (side-operation)



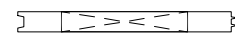
cornerpanel with floor bolt (espagnolet)



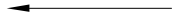
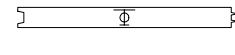
cornerpanel with floor bolt (espagnolet)



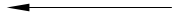
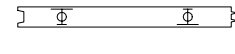
end wall panel



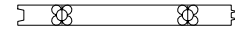
panel with glassopening



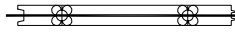
one point suspension, one (forced guidance) trolley (OG)



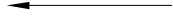
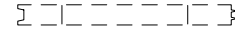
two point suspension, forced guidance trolleys (FG)



two point suspension, cross guidance trolleys (CG)



panels and centre line of track



panels in parked position



designed for space



movable walls & folding partitions
Panningen, The Netherlands

Palace 80

symbols in layout drawings

Date	23-04-2001	
Scale	1:30	
Size	A4	
Drawn	FR	
Revision	Date	By
PAL80-200		